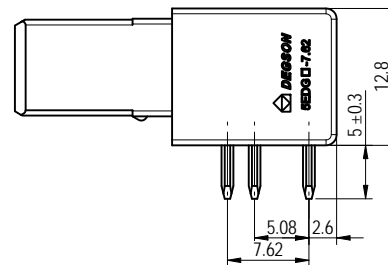
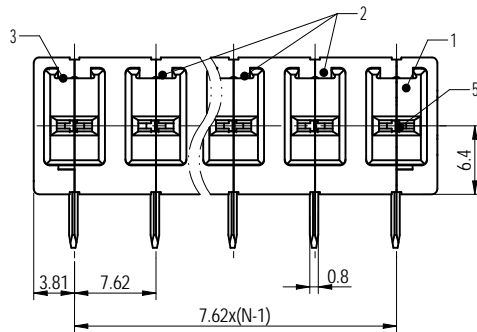
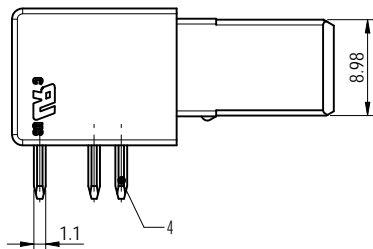
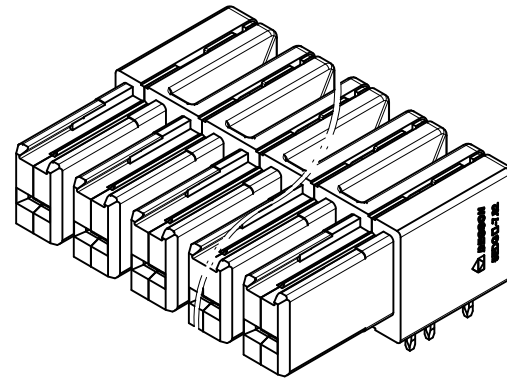
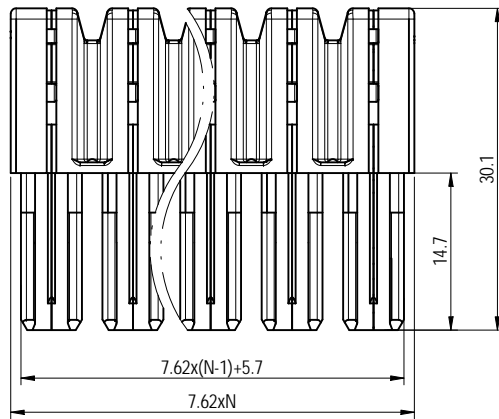


公差/General tolerances (mm)												D		
0	>3	>6	>10	>18	>30	>50	>80	>120	>180	>250	>315	>400	>500	0.1/10
~	3	6	10	18	30	50	80	120	180	250	315	400	500	±2
±0.12	±0.18	±0.22	±0.26	±0.31	±0.37	±0.57	±0.80	±0.93	±1.05	±1.15	±1.60	±2.20	±2.50	



ITEM	NAME OF PART	MATERIAL	NOTES	
5	Spring	Stainless steel	/	
4	Clamp	Copper alloy	Sn Plated	
3	Side Housing2	PA66	UL94V-0	
2	Mid Housing	PA66	UL94V-0	
1	Side Housing1	PA66	UL94V-0	
UL 标准/UL Standard:		B	C	D
额定电压/电流/Rated Voltage(V)/Current(A)		300/41	300/41	600/5
IEC 标准/IEC Standard:				
过压类别/Overvoltage Category/污染等级/Pollution Degree		III/3	III/2	II/2
额定电压/电流/Rated Voltage(V)/Current(A)		630/41	800/41	1000/41
额定脉冲电压(KV)/Rate Impulse Voltage(KV)		6	6	6
间距/Pitch(mm)/线数范围/Poles		7.62/N=02~12P		
应用温度范围/Operating temperature(°C)		-40~+105		
符合RoHS环保要求/Conform to RoHS		Yes		

	MATERIAL:	SURFACE/COLOR:			
	MAT NO./REV: - / 00	MAT STATUS: 批量			
APPD: 兰春华	2023.09.01	NAME:	5EDGA-7.62-XXP-1Y-00Z(H)		
CHKD: 黄耀志	2023.09.01	DRAWING NO.	TYPE	DRAWING STATUS	SCALE
DRFT: 周锦锋	2023.08.31	200021328	CUSTOMER DRAWING	已发布	1:1
REV	ECN	DESCRIPTION	DRFT	DATE	SHEET
00			周锦锋	2023.08.31	1/1

REV	ECN	DESCRIPTION	DRFT	DATE	SCALE	SHEET
00			周锦锋	2023.08.31	1:1	1/1

Transfer or duplication of this document as well as the utilization of its contents without the written consent of Degson Electronics Co., Ltd. is prohibited. All rights reserved for patent. 未经授权复制或传播本文件及其内容，或未经许可使用其内容，均属于侵权行为。Degson Electronics Co., Ltd. 保留所有权利。未经许可，不得复制或传播本文件及其内容。