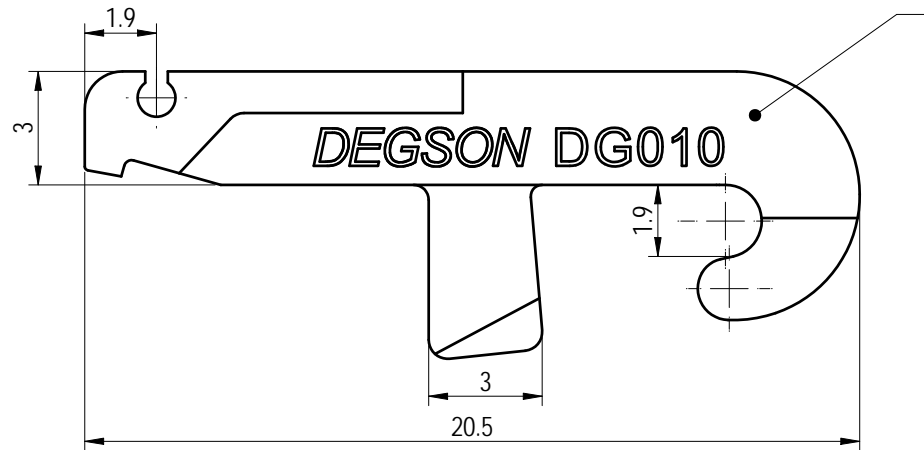
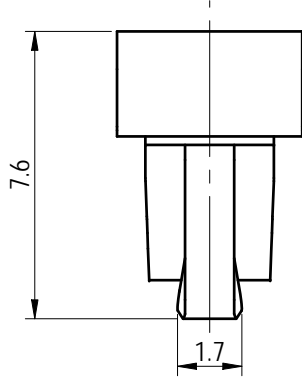
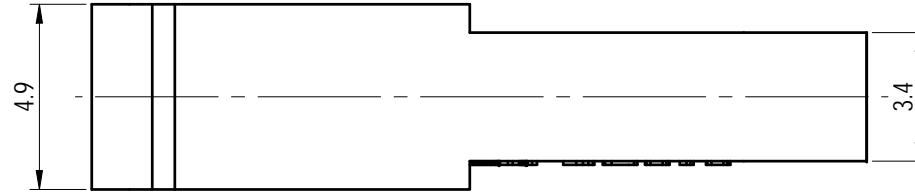
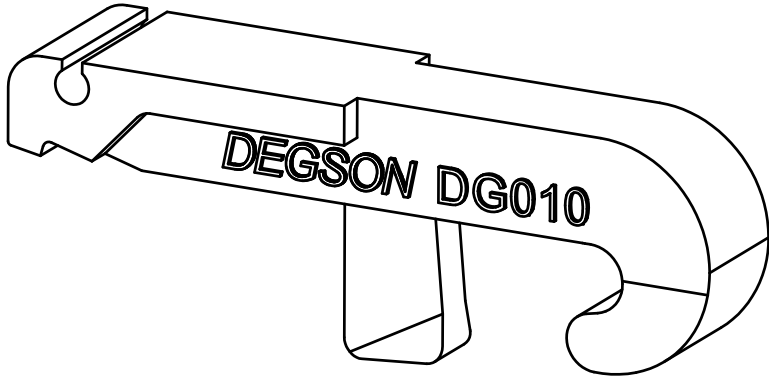


Transfer or duplication of this document as well as the utilization or communication of its content are prohibited unless authorized in writing. All rights reserved for patent, utility model or design registrations. 除专利、实用新型、外观设计、发明专利、软件著作权、集成电路布图设计专有权、商业秘密、技术秘密、其他知识产权等权利外，本公司保留对涉及及发明、实用新型、外观设计、发明专利、软件著作权、集成电路布图设计专有权、商业秘密、技术秘密、其他知识产权等权利的所存权利。

未注公差/General tolerances (mm)													0.1/10
0 ~ 3	>3 ~ 6	>6 ~ 10	>10 ~ 18	>18 ~ 30	>30 ~ 50	>50 ~ 80	>80 ~ 120	>120 ~ 180	>180 ~ 250	>250 ~ 315	>315 ~ 400	>400 ~ 500	
±0.12	±0.18	±0.22	±0.26	±0.31	±0.37	±0.57	±0.80	±0.93	±1.05	±1.15	±1.60	±2.20	±2.50



Note:
The A&Z(H) in the name means: A(H) and Z(H).

ITEM	NAME OF PART	MATERIAL	NOTES
1	Housing	POM	UL94HB

使用温度范围/Operating temperature(°C)	-40~+95
符合RoHS环保要求/Conform to RoHS	Yes

DEGSON		MATERIAL: POM	SURFACE/COLOR:	
APPD: 兰春华 2022.10.11		MAT NO./REV: - / 01	MAT STATUS: 批量	
CHKD: 龚耀志 2022.10.11		NAME		
DRFT: 方哲盛 2022.10.11		DG010-01P-1Y-00A&Z(H)		
DRAWING NO.	TYPE	DRAWING STATUS	SCALE	SHEET
200019469	CUSTOMER DRAWING	已发布	5:1	1/1

REV	ECN	DESCRIPTION	DRFT	DATE
00			方哲盛	2022.10.11