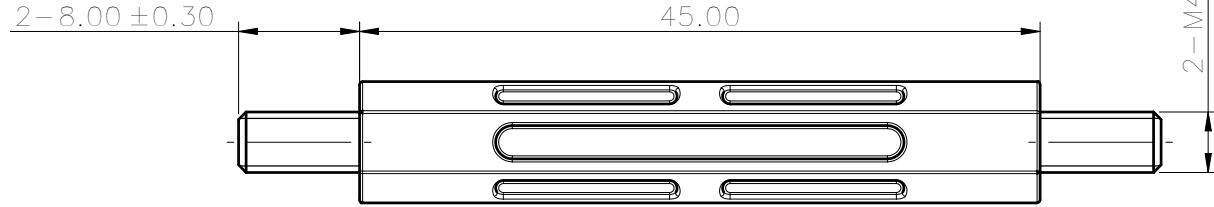
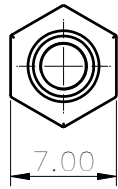
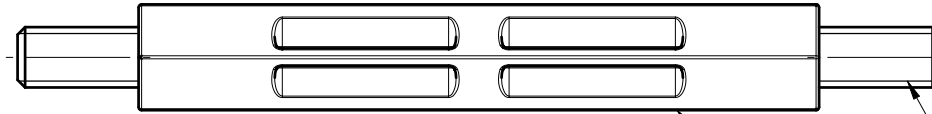


未注公差/General tolerances (mm)													0.1/10	
0	>3	>6	>10	>18	>30	>50	>80	>120	>180	>250	>315	>400		>500
~3	~6	~10	~18	~30	~50	~80	~120	~180	~250	~315	~400	~500		
±0.12	±0.18	±0.22	±0.26	±0.31	±0.37	±0.57	±0.80	±0.93	±1.05	±1.15	±1.60	±2.20	±2.50	±2'

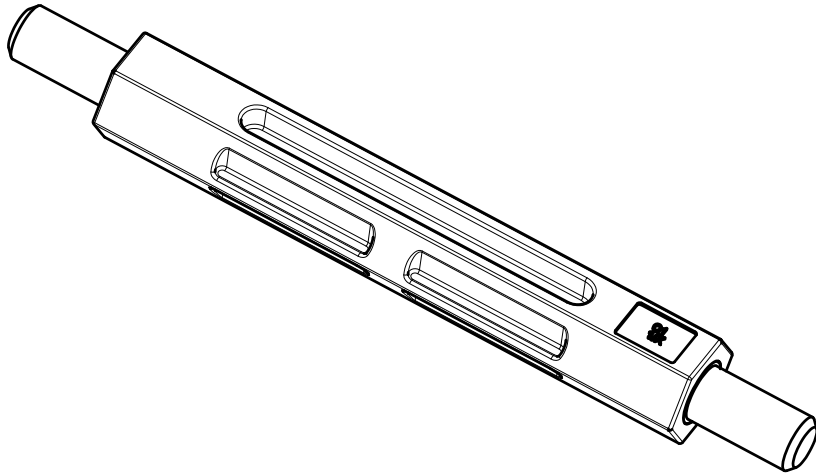


2-M4 *0.7-6g



Housing

Screw



ITEM	NAME OF PART	MATERIAL	NOTES
1	Housing	PA66+10%GF	UL94V-0
	Screw	Steel	Ni plated

螺丝扭矩/Torque Tightening(N · m/Lb.in)	M4, 0.8/7.0
使用温度范围/Operating temperature(° C)	-40~+65
符合 RoHS 环保要求/Conform to RoHS	Yes

DEGSON		MATERIAL:	SURFACE/COLOR:		
APPD: 彭敏	2022.06.28	MAT NO./REV: - /00	MAT STATUS: 批量		
CHKD: 高卫国	2022.06.28	NAME DG007-01P-1Y-00A (H)			
DRFT: 黄仁铸	2022.06.28	DRAWING NO.	TYPE	DRAWING STATUS	SCALE
		200059537	CUSTOMER DRAWING	已发布	2:1
REV	ECN	DESCRIPTION	DRFT	DATE	SHEET
00		2022-03-12生成第一版-00版	黄仁铸	2022.06.28	1/1

00		2022-03-12生成第一版-00版	黄仁铸	2022.06.28
REV	ECN	DESCRIPTION	DRFT	DATE

Transfer or duplication of this document as well as the utilization or communication of its content are prohibited unless authorized in writing by Degson. All rights reserved for patent, utility model or design registrations. 除特别说明外，未经许可，不得复制或传播。保留所有权利及专利权。未经许可，不得复制或传播。

A

B

C

D