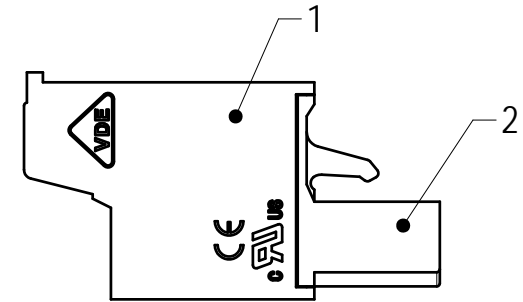
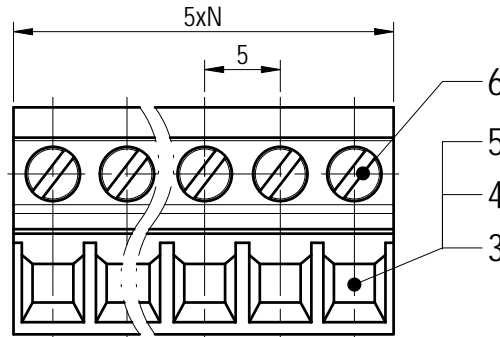
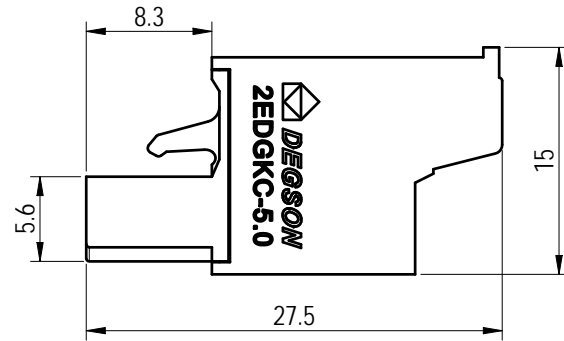
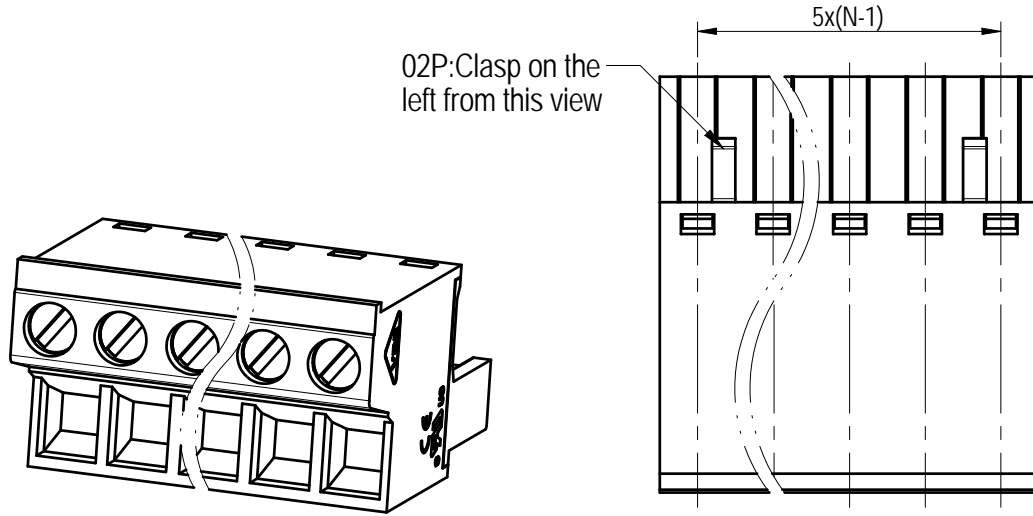


Transfer or duplication of this document as well as the utilization or communication of its contents are prohibited unless authorized in writing by DEGSON. All rights reserved for patent. 未经授权复制或传播本文件内容，或在本文件内容基础上进行复制或传播，均属于侵权行为。 除专利等明确标注外，其他内容均受版权保护。



未注公差/General tolerances (mm)													0.1/10 ±2'
0	>3	>6	>10	>18	>30	>50	>80	>120	>180	>250	>315	>400	
±0.12	±0.18	±0.22	±0.26	±0.31	±0.37	±0.57	±0.80	±0.93	±1.05	±1.15	±1.60	±2.20	±2.50

UL 标准/UL Standard:	B	C	D
① 额定电压/电流/Rated Voltage(V)/Current(A)	300/15	150/15	300/10
IEC 标准/IEC Standard:			
过压类别/Overvoltage Category/污染等级/Pollution Degree	III/3	III/2	II/2
① 额定电压/电流/Rated Voltage(V)/Current(A)	/	320/20	/
额定脉冲电压(KV)/Rate Impulse Voltage(KV)	/	4	/
螺丝扭矩/Torque Tightening(N·m/Lb.in)	M2.5, 0.5/4.43		
线径范围(硬线和软线)/Wire Range(rigid and flexible)(AWG/mm²)	28~12 / 0.2~2.5		
间距/Pitch(mm)/线数范围/Poles	5.0/N=02~24P		
剥线长度/Stripping length(mm)	9~10		
使用温度范围/Operating temperature(°C)	-40~+105		
符合RoHS环保要求/Conform to RoHS	Yes		

ITEM	NAME OF PART	MATERIAL	NOTES
6	Screw	Steel	M2.5/Zn Plated
5	Cage	Steel	M2.5/Zn Plated
4	Block	Steel	Zn Plated
3	Clamp	Copper alloy	Sn Plated
2	Cover	PA66	UL94V-0
1	Housing	PA66	UL94V-0

Note:  
The A&Z(H) in the name means: A(H) and Z(H).

01	20220147	2x由00版升为01版, 提升UL电流及扭力大小	朱岳鹏	2023.03.31
REV	ECN	DESCRIPTION	DRFT	DATE

		MATERIAL:	SURFACE/COLOR:	
		MAT NO./REV:	MAT STATUS: 批量	
APPD: 兰春华	2023.03.31	NAME		
CHKD: 龚耀志	2023.03.31	2EDGKC-5.0-XXP-1Y-00A&Z(H)		
DRFT: 朱岳鹏	2023.03.31	DRAWING NO.	TYPE	DRAWING STATUS
		200140180	CUSTOMER DRAWING	已发布
		SCALE	SHEET	
		2:1	1/1	