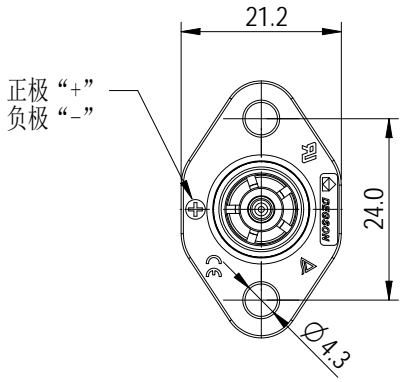
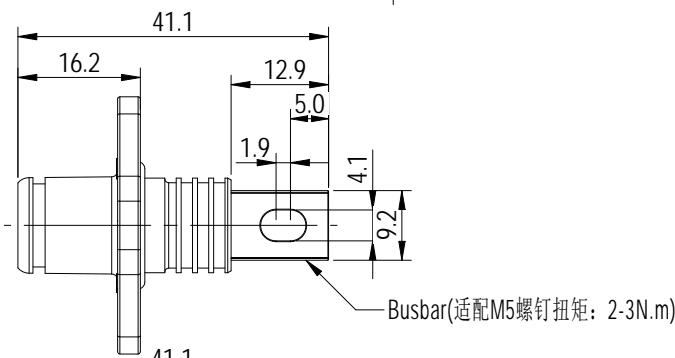


尺寸公差(mm)					0.05/10 ±1'
0	>30	>60	>100	>150	
~30	~60	~100	~150	>150	
±0.20	±0.30	±0.50	±0.70	±1.00	

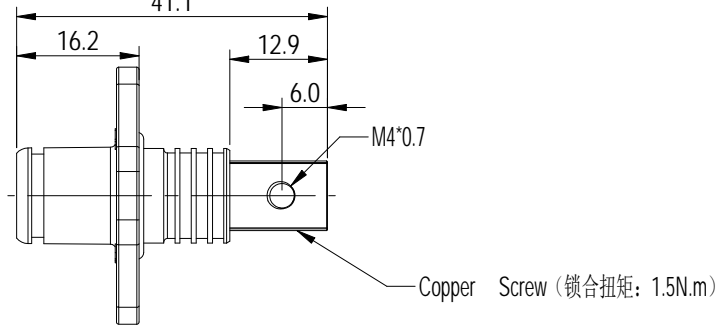


其他接线方式:

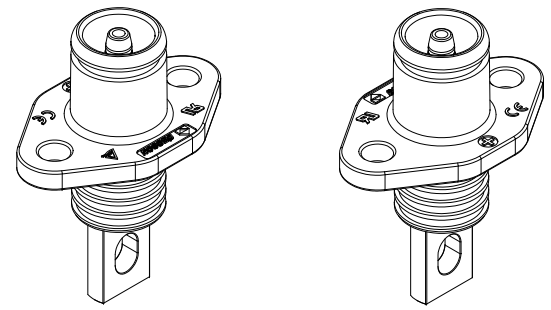
形式一:



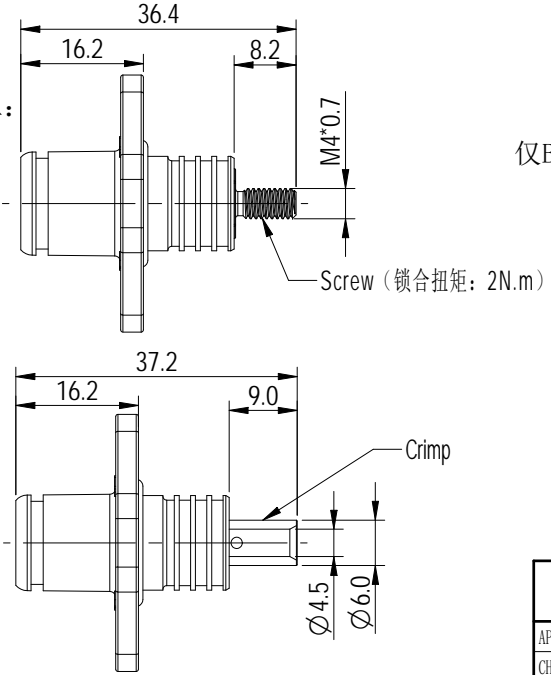
形式二:



仅Busbar的形式3D展示:



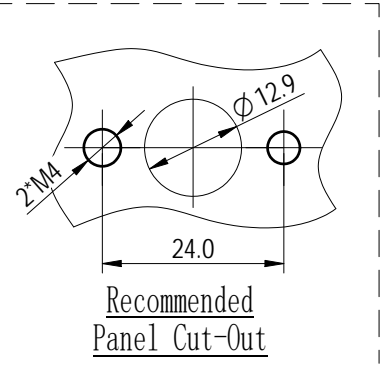
形式三:



ESS-70A-10-X-XX-00

Color: BK:Black 负极  
OR:Orange 正极  
RD:Red 正极

Contact Termination: B:Busbar  
C:Crimp  
S:Screw  
B/S:Copper Screw



Recommended Panel Cut-Out

技术要求/Technical requirements:	
颜色/Color	Black, Orange, Red
锁紧方式/Locking method	卡扣(Buckle)
接线方式/Terminal	Busbar, Screw, Crimp, Copper Screw
外壳材料/Housing material	PA+GF
接触件材料/Connector material	铜合金(Copper alloy)
插入力/Insertion force	65N Max
拔出力/Withdrawal force	>10N
插拔次数/Mechanical working life(mating cycles)	100
安装螺母紧固扭矩/Screw torque	M4/0.4'0.7N.m
接线规格/Wiring specifications	8AWG or 10mm <sup>2</sup>
建议剥线长度/Suggested stripping length	8~9mm (Crimp type)
额定电压/Rated voltage	1000V DC
额定电流/Rated current	70A
绝缘电阻/Insulate resistance	≥5000MΩ (drying)
耐电压/Withstanding voltage	4250V/min
接触电阻/Contact resistance	≤0.5mΩ
过电压等级/Overvoltage category	III
污染等级/Pollution degree	3
防护等级/Ingress protection	IP67 (Mated)
使用温度范围/Operating temperature(°C)	-40~+125(including temperature rise)
盐雾/Salt spray	48H
储存温度/Storage temperature(°C)	-40~+85
阻燃等级/Flame retardant ability	UL94-V0
符合RoHS环保要求/Conform to RoHS	Yes
UL4128认证/UL4128 certification	E530802
TUV认证/TUV certification	50581738
满足户外使用/Satisfy outdoor use	Yes

		MATERIAL:	SURFACE/COLOR:		
APPD: 刘剑 2024.01.24		MAT NO./REV:	MAT STATUS:		
CHKD: 于进海 2024.01.21		NAME			
DRFT: 张晓瑶 2024.01.17		ESS-70A-10-X-XX-00			
REV	ECN	DESCRIPTION	DRFT	DATE	
01					
DRAWING NO. 200269749		TYPE CUSTOMER DRAWING		DRAWING STATUS	SCALE 1:1
A4		(inch)		SHEET 1/1	

Transfer or duplication of this document as well as the utilization or communication of its content are prohibited unless authorized in writing by the copyright holder. 任何未经授权复制或传播本文件的行为均被视为侵权。 保留所有权利。 未经许可，不得复制或传播本文件。 保留所有权利。 未经许可，不得复制或传播本文件。