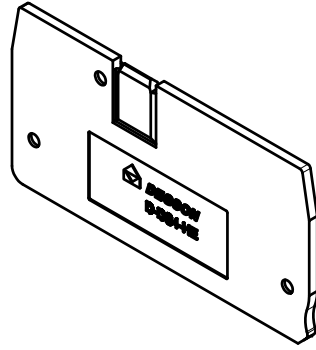
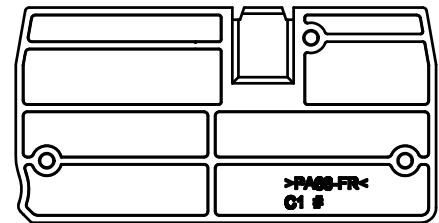
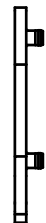
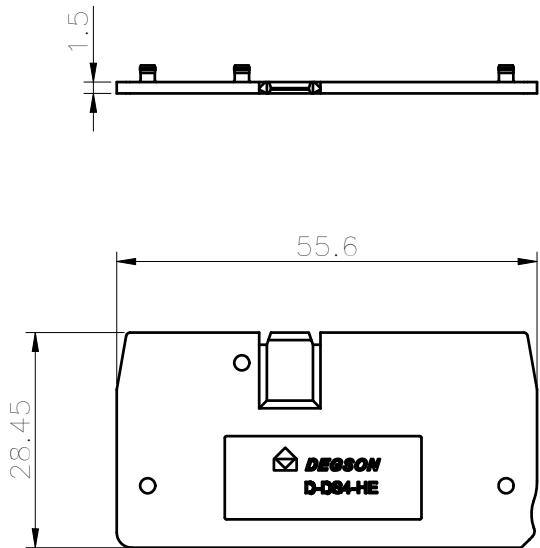


未注公差/General tolerances(mm)											0.1/10		
0	>3	>6	>10	>18	>30	>50	>80	>120	>180	>250		>315	>400
±0.12	±0.18	±0.22	±0.26	±0.31	±0.37	±0.57	±0.80	±0.93	±1.05	±1.15	±1.60	±2.20	±2.50

Transfer or duplication of this document as well as the utilization or communication of its contents are prohibited unless explicit authorization is granted. All rights reserved for patent, utility model or designs registrations. 非经明确授权, 否则禁止转让、复制、利用、交加本文件内容。侵犯者将承担赔偿责任。本公司保留对涉及发明、实用新型和外观设计的所有权利。



使用温度范围/Operating temperature(°C)	-40~+105
符合 RoHS 环保要求/Conform to RoHS	Yes
阻燃等级/Flame class	UL94-V0

APPD: Peng M	2022.06.07	NAME
CHKD: Gao WG	2022.06.07	
DRFT: Chen KZ	2022.06.07	

MATERIAL: PA66	SURFACE: /	
MAT. NO./REV: /	MAT STATUS: /	
D-DS4-HE-01P-1Y-00A(H)		

REV	ECN	DESCRIPTION	DRFT	DATE
00	/	/	Chen KZ	2022.06.07

DRAWING NO.	TYPE	DRAWING STATUS	SCALE	SHEET
/	CUSTOMER DRAWING	/	2:1	1/1