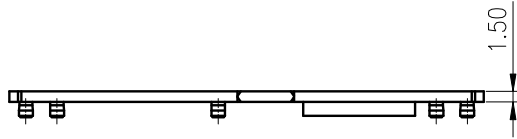
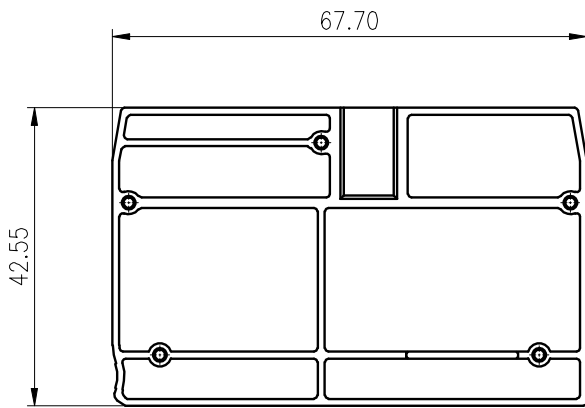


公差/General tolerances(mm)											0.1/10		
0	>3	>6	>10	>18	>30	>50	>80	>120	>180	>250		>315	>400
±0.12	±0.18	±0.22	±0.26	±0.31	±0.37	±0.57	±0.80	±0.93	±1.05	±1.15	±1.60	±2.20	±2.50

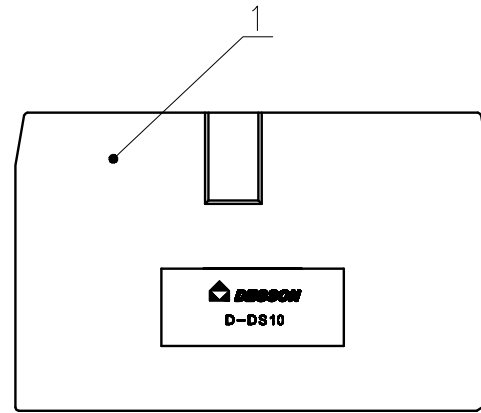
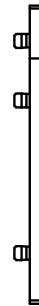
A



B



C



D

1	Cover	PA66	UL94V-0
ITEM	NAME OF PART	MATERIAL	NOTES
使用温度范围/Operating temperature(°C)			-40~+105
符合RoHS环保要求/Conform to RoHS			Yes
标准颜色编号/Standard color number:			/
PANTONE / RAL			/

MATERIAL: /	SURFACE: /					
MAT NO.: /	<b>宁波高松电子有限公司</b> <b>NINGBO DEGSON ELECTRICAL CO., LTD</b>					
STATUS: /						
APPD: Li GL 2020.06.01				NAME:	<b>D-DS10-01P-1Y-00A(H)</b>	
CHKD: Mao J 2020.06.01				DRAWING NO.: D-DS10-C01		
DRFT: Wang LX 2020.06.01	REV		T0-3			
④	SIZE: A4	TYPE: CUSTOMER DRAWING	SCALE: 1:1			
SHEET		1/1				

REV	ECN	DESCRIPTION	DRFT	DATE

1

2

3

4

5

6