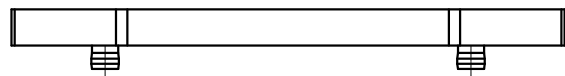


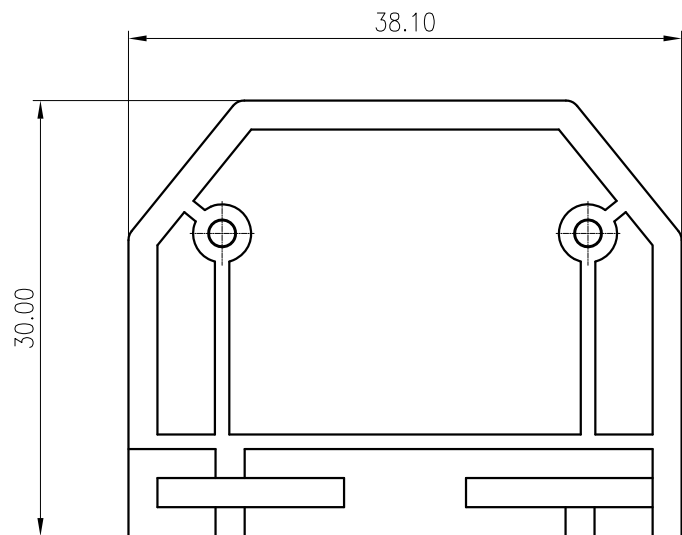
未注公差/General tolerances(mm)

0	>3	>6	>10	>18	>30	>50	>80	>120	>180	>250	>315	>400	>500	0.1/10 ±2'
~3	~6	~10	~18	~30	~50	~80	~120	~180	~250	~315	~400	~500		
±0.12	±0.18	±0.22	±0.26	±0.31	±0.37	±0.57	±0.80	±0.93	±1.05	±1.15	±1.60	±2.20	±2.50	

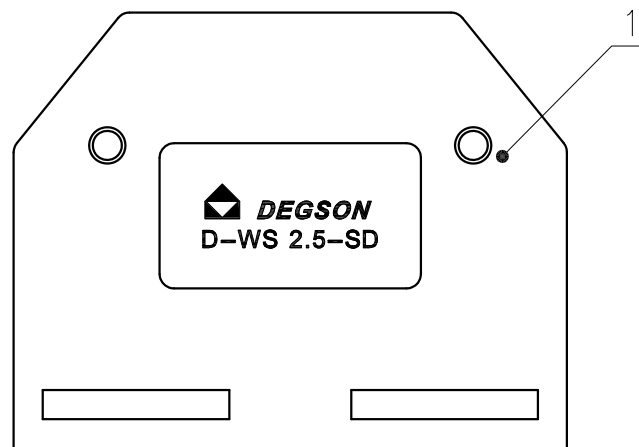
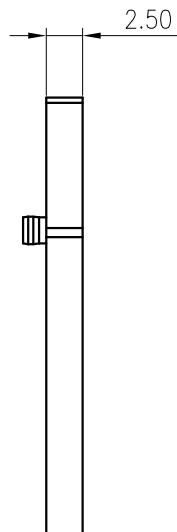
A



B



C



A

B

C

D

1	Cover	PA66	UL94V-0
ITEM	NAME OF PART	MATERIAL	NOTES
使用温度范围/Operating temperature(°C)			-40~+105
符合RoHS环保要求/Conform to RoHS			Yes
标准颜色编号/Standard color number:			/
PANTONE / RAL			/

MATERIAL:	/	SURFACE:	/	
MAT NO.:	/	宁波高松电子有限公司 NINGBO DEGSON ELECTRICAL CO., LTD		
STATUS:	/			
APPD: Li GL 2020.06.06	NAME:			
CHKD: Mao J 2020.06.06	D-WS2.5-SD-01P-11-00A(H)			
DRFT: Wang Y 2020.06.06	DRAWING NO.:	D-WS2.5-SD-C01	REV	TO
TYPE: CUSTOMER DRAWING		SCALE: 2:1	SHEET	1/1

REV	ECN	DESCRIPTION	DRFT	DATE
-----	-----	-------------	------	------

SIZE: A4	mm (inch)
----------	--------------