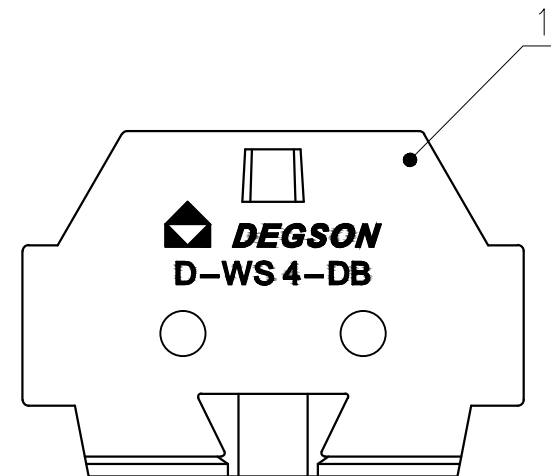
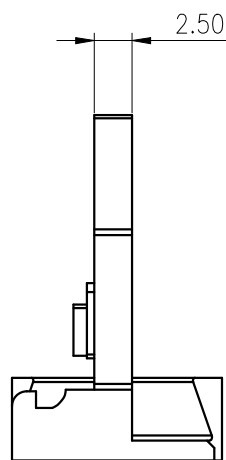
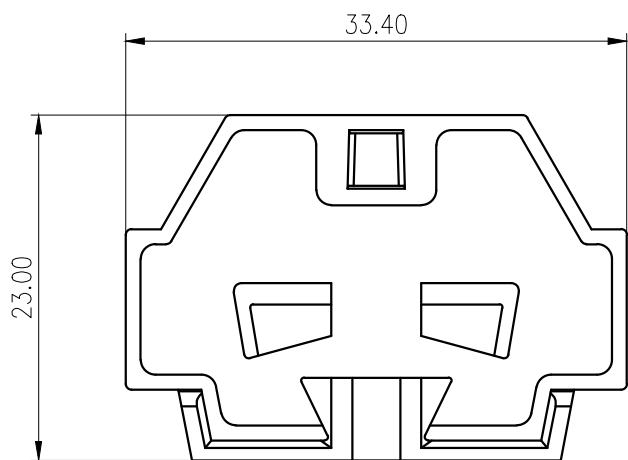
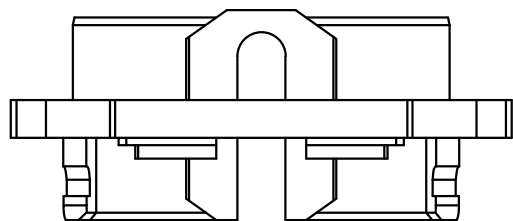


| 未注公差/General tolerances(mm) |              |               |                |                |                |                |                 |                  |                  |                  |                  |                  | 0.1/10 |      |
|-----------------------------|--------------|---------------|----------------|----------------|----------------|----------------|-----------------|------------------|------------------|------------------|------------------|------------------|--------|------|
| 0<br>~<br>3                 | >3<br>~<br>6 | >6<br>~<br>10 | >10<br>~<br>18 | >18<br>~<br>30 | >30<br>~<br>50 | >50<br>~<br>80 | >80<br>~<br>120 | >120<br>~<br>180 | >180<br>~<br>250 | >250<br>~<br>315 | >315<br>~<br>400 | >400<br>~<br>500 |        | >500 |
| ±0.12                       | ±0.18        | ±0.22         | ±0.26          | ±0.31          | ±0.37          | ±0.57          | ±0.80           | ±0.93            | ±1.05            | ±1.15            | ±1.60            | ±2.20            | ±2.50  | ±2'  |



| 1  | Cover        | PA66     | UL94V-0  |
|--|--------------|----------|----------|
| ITEM   | NAME OF PART | MATERIAL | NOTES    |
| 使用温度范围/Operating temperature(°C)               |              |          | -40~+105 |
| 符合RoHS环保要求/Conform to RoHS                     |              |          | Yes      |
| 标准颜色编号/Standard color number:<br>PANTONE / RAL |              |          | /        |

|                         |   |  |                      |
|-------------------------|---|--|----------------------|
| MATERIAL: /             | SURFACE: /                                      |  |                      |
| MAT NO.: /              | 宁波高松电子有限公司<br>NINGBO DEGSON ELECTRICAL CO., LTD |  |                      |
| STATUS: /               |   |  |                      |
| APPD: Li GL 2020.06.06  | NAME: D-WS4-DB-01P-1Y-00A(H)                    |  |                      |
| CHKD: Mao J 2020.06.06  | DRAWING NO.: D-WS4-DB-C01                       |  | REV TO               |
| DRFT: Wang Y 2020.06.06 | TYPE: CUSTOMER DRAWING                          |  | SCALE: 2:1 SHEET 1/1 |

| REV | ECN | DESCRIPTION | DRFT | DATE |
|-----|-----|-------------|------|------|
|     |     |             |      |      |