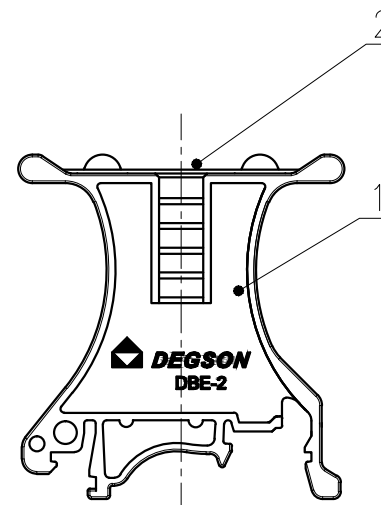
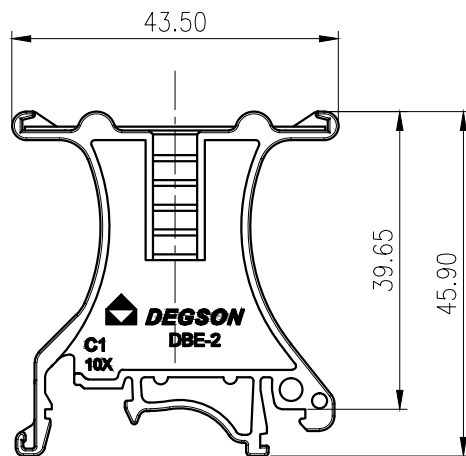
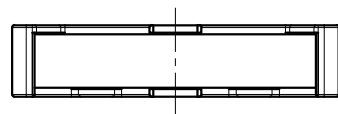


未注公差/General tolerances(mm)													0.1/10
0	>3	>6	>10	>18	>30	>50	>80	>120	>180	>250	>315	>400	
±0.12	±0.18	±0.22	±0.26	±0.31	±0.37	±0.57	±0.80	±0.93	±1.05	±1.15	±1.60	±2.20	±2.50



2	Cover		
1	Housing	PA66	UL94V-0
ITEM	NAME OF PART	MATERIAL	NOTES
使用温度范围/Operating temperature(°C)			-40~+105
符合RoHS环保要求/Conform to RoHS			Yes

MATERIAL: /	SURFACE: /		
MAT NO.:	宁波高松电子有限公司 NINGBO DEGSON ELECTRICAL CO., LTD		
STATUS: /	NAME: DBE-2-01P-1Y-00A(H)		
APPD: Li GL 2020.06.10	DRAWING NO.: DBE-2-C01		
CHKD: Mao J 2020.06.10	REV		DO-2
DRFT: Wang LX 2019.06.04	TYPE: CUSTOMER DRAWING		SHEET 1/1

REV	ECN	DESCRIPTION	DRFT	DATE



SIZE: A4	SCALE: 1:1	SHEET 1/1
----------	------------	-----------