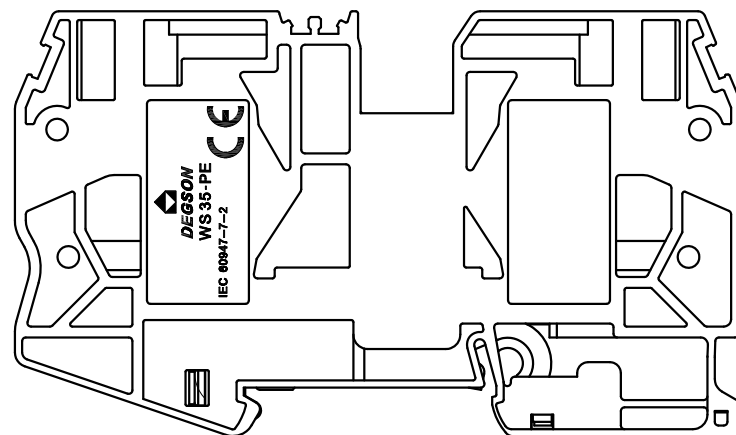
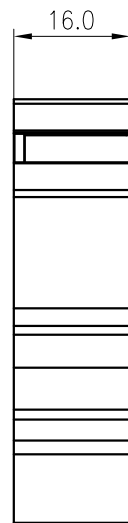
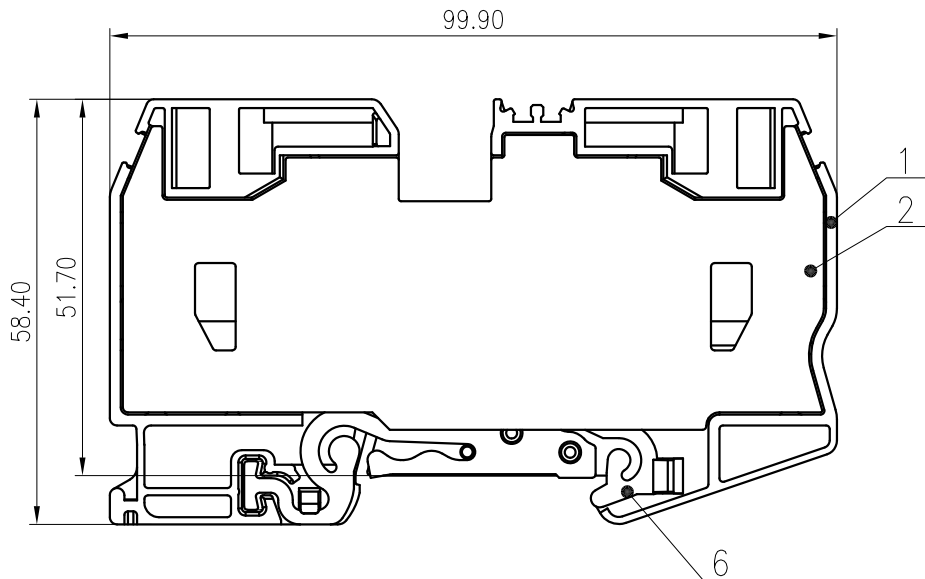
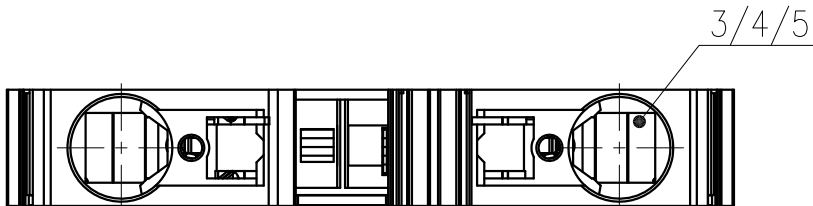


未注公差/General tolerances(mm)											0.1/10 ±2'		
0	>3	>6	>10	>18	>30	>50	>80	>120	>180	>250		>315	>400
~3	~6	~10	~18	~30	~50	~80	~120	~180	~250	~315	~400	~500	~2.50
±0.12	±0.18	±0.22	±0.26	±0.31	±0.37	±0.57	±0.80	±0.93	±1.05	±1.15	±1.60	±2.20	±2.50



UL 标准/UL Standard:	B	C	D
额定电压/电流/Rated Voltage(V)/Current(A)	/	/	/
IEC 标准/IEC Standard:			
过压类别/Overvoltage Category/污染等级/Pollution Degree	III/3	III/2	II/2
额定电压/电流/Rated Voltage(V)/Current(A)	/	/	/
额定脉冲电压(KV)/Rate Impulse Voltage(KV)	8.0	/	/
线径范围(硬线和软线)/Wire Range(rigid and flexible)(mm ² /AWG)	2.5~35/14~2		
间距/Pitch(mm)	16.0		
剥线长度/Stripping length(mm)	25		
使用温度范围/Operating temperature(°C)	-40~+105		
符合RoHS环保要求/Conform to RoHS	Yes		
标准颜色编号/Standard color number:	PANTONE / RAL		

5	Grounding	Copper Alloy	Sn Plated
5	Spring 2	Stainless Steel	
4	Spring 1	Stainless Steel	
3	Current Carrier	Copper Alloy	Sn Plated
2	Cover	PA66	UL94 V-0
1	Housing	PA66	UL94 V-0
ITEM	NAME OF PART	MATERIAL	NOTES

REV	ECN	DESCRIPTION	DRFT	DATE

MATERIAL:	/	SURFACE:	/
MAT NO.:	/	宁波高松电子有限公司 NINGBO DEGSON ELECTRICAL CO., LTD	
STATUS:	/	NAME: WS35-PE-01P-1C-00A(H)	
APPD: Li GL 2020.06.05		DRAWING NO.:	WS35-PE-C01
CHKD: Mao J 2020.06.05		REV	D0-3
DRFT: Wang Y 2020.06.05		TYPE: CUSTOMER DRAWING	SCALE: 1:1 SHEET 1/1