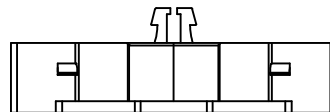
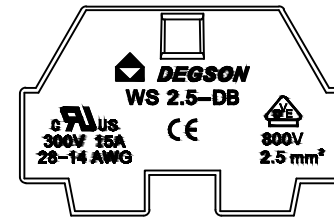
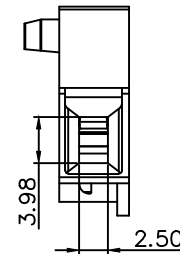
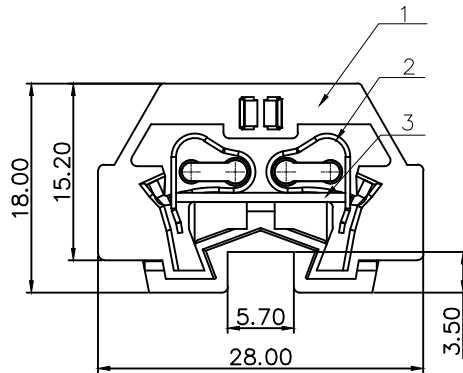
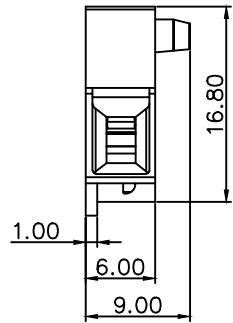
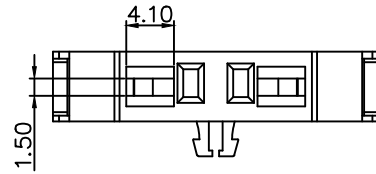


REVISION RECORD				
REV	ECN	DESCRIPTION	DRFT	DATE



NOTES1:

UL Standard

- 1.Rated Voltage/Current :300V / 15A
- 2.Withstanding Voltage : AC1600V/1Min.
- 3.Wire Range : 28~14AWG

IEC Standard

1. Pollution Degree	3
Overvoltage Category	III
Rate Impulse Voltage(KV)	8.0KV
Rate Voltage(V)	800V
Rate Current(A)	24A

2.Wire Range : 0.2~2.5mm²

NOTES2:

- 1.Dimension shall be interpreted per ASME Y14.5-2009
- 2.Pitch : 6.00mm,
- 3.Stripping length : 9.0mm
- 4.Operating temperature: -40°C~+105°C
- 5.Undimensioned Tolerances:

Pitch range in mm	Nominal dimension range in mm					-	D
	Over 6 TO 10	Over 10 TO 24	Over 30 TO 60	Over 60 TO 100	Over 100 TO 150		
±0.15	±0.20	±0.30	±0.30	±0.50	±0.70	±1.00	±1.30
							±2'

6.RoHS Compliance

ITEM	NAME OF PART	MATERIAL	NOTES
3	Current carrier	Copper alloy	Sn Plated
2	Spring	Stainless steel	
1	Housing	PA66	UL94V-0

DETACHED LISTS	PART NO.:	/		
	APPD: Li GL 2020.05.29	NAME: DEGSON NINGBO DEGSON ELECTRICAL CO., LTD		
	CHKD: Mao J 2020.05.29	WS2.5-DB-01P-1Y-10A(H)		
	DRFT: YYC 2020.05.29	TITLE: CUSTOMER DRAWING	REV	TO
		DRAWING NO.: WS2.5-DB-C04	SHEET	1/1
	THIRD ANGLE PROJECTION	DO NOT SCALE DRAWING	SCALE	1:1