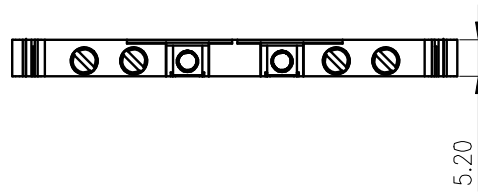
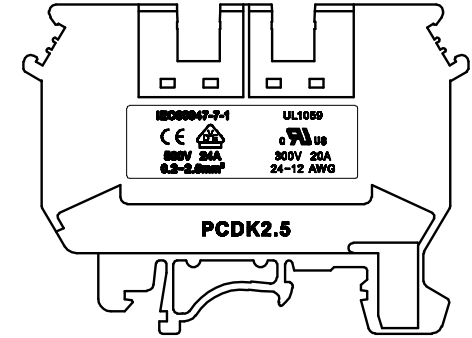
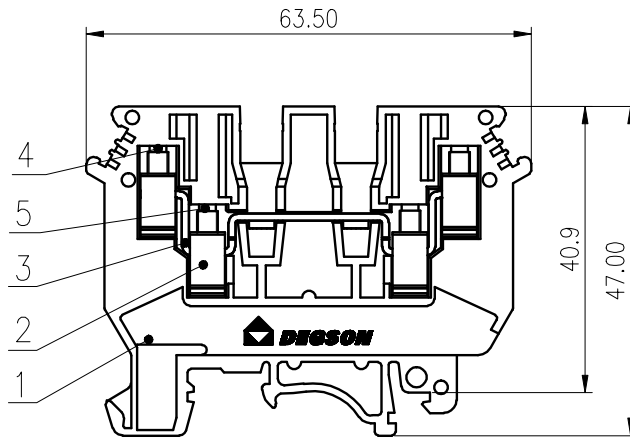


未注公差/General tolerances(mm)											0.1/10 ±2'		
0 ~3	>3 ~6	>6 ~10	>10 ~18	>18 ~30	>30 ~50	>50 ~80	>80 ~120	>120 ~180	>180 ~250	>250 ~315		>315 ~400	>400 ~500
±0.12	±0.18	±0.22	±0.26	±0.31	±0.37	±0.57	±0.80	±0.93	±1.05	±1.15	±1.60	±2.20	±2.50



5.20



UL 标准/UL Standard:	B	C	D
额定电压/电流/Rated Voltage(V)/Current(A)	300/20	/	300/10
IEC 标准/IEC Standard:			
过压类别/Overvoltage Category/污染等级/Pollution Degree	III/3	/	/
额定电压/电流/Rated Voltage(V)/Current(A)	500/24	/	/
额定脉冲电压(KV)/Rate Impulse Voltage(KV)	6.0	/	/
螺丝扭矩/Torque Tightening(N·m/Lb.in)	M3, 0.5/4.4		
线径范围(硬线和软线)/Wire Range(rigid and flexible)(mm ² /AWG)	0.2~2.5/24~12		
间距/Pitch(mm)	5.20		
剥线长度/Stripping length(mm)	7~8		
使用温度范围/Operating temperature(°C)	-40~+105		
符合RoHS环保要求/Conform to RoHS	Yes		
标准颜色编号/Standard color number: PANTONE / RAL	/		

A

B

C

D

5	Screw2	Copper alloy	Ni Plated
4	Screw1	Copper alloy	Ni Plated
3	Current Carrier	Copper	Sn Plated
2	Cage	Copper alloy	Ni Plated
1	Housing	PA66	UL94V-0
ITEM	NAME OF PART	MATERIAL	NOTES

REV	ECN	DESCRIPTION	DRFT	DATE
-----	-----	-------------	------	------

MATERIAL:	SURFACE:		
MAT NO.: /	宁波高松电子有限公司 NINGBO DEGSON ELECTRICAL CO., LTD		
STATUS: /			
APPD: Li GL 2020.04.03			
CHKD: Mao J 2020.04.03			
DRFT: ZYH 2008.01.12	NAME: PCDK2.5-01P-1Y-00A(H)	DRAWING NO.: PCDK2.5-C01	REV TO
④	SIZE: A4	TYPE: CUSTOMER DRAWING	SCALE: 1:1 SHEET 1/1