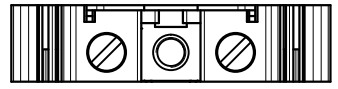
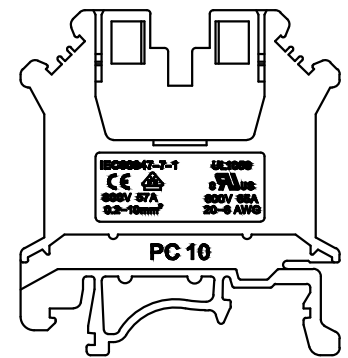
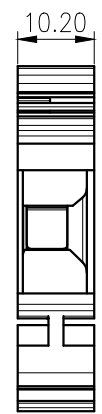
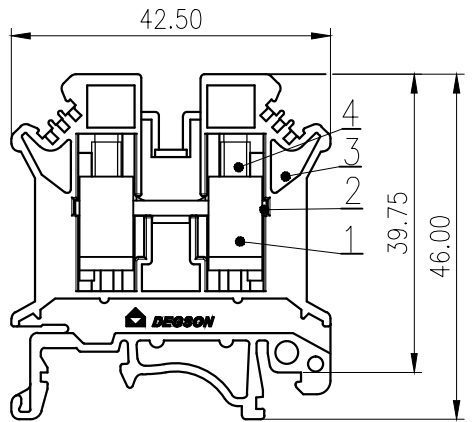


未注公差/General tolerances(mm)													0.1/10	
0 ~ 3	>3 ~ 6	>6 ~ 10	>10 ~ 18	>18 ~ 30	>30 ~ 50	>50 ~ 80	>80 ~ 120	>120 ~ 180	>180 ~ 250	>250 ~ 315	>315 ~ 400	>400 ~ 500		>500
±0.12	±0.18	±0.22	±0.26	±0.31	±0.37	±0.57	±0.80	±0.93	±1.05	±1.15	±1.60	±2.20	±2.50	±2'

A



B



C

4	Screw	Copper Alloy	M4\Ni Plated
3	Cage	Copper Alloy	M4\Ni Plated
2	Current carrier	Copper	Sn Plated
1	Housing	PA66	UL94V-0
ITEM	NAME OF PART	MATERIAL	NOTES
UL 标准/UL Standard:		B	C
额定电压/电流/Rated Voltage(V)/Current(A)		600/65	600/65
EC 标准/IEC Standard:			D
过压类别/Overvoltage Category/污染等级/Pollution Degree		III/3	/
额定电压/电流/Rated Voltage(V)/Current(A)		800/57	/
额定脉冲电压(KV)/Rate Impulse Voltage(KV)		8.0	/
螺丝扭矩/Torque Tightening(N·m/Lb.in)		M4, 1.2/10.53	
线径范围(硬线和软线)/Wire Range(rigid and flexible)(mm²/AWG)		0.2~10mm² 20-6AWG	
间距/Pitch(mm)		10.20	
剥线长度/Stripping length(mm)		10-12	
使用温度范围/Operating temperature(°C)		-40~+105	
符合RoHS环保要求/Conform to RoHS		Yes	
标准颜色编号/Standard color number: PANTONE / RAL		/	

D

MATERIAL:		SURFACE:		
MAT NO.:	/	宁波高松电子有限公司 NINGBO DEGSON ELECTRICAL CO., LTD		
STATUS:	/			
APPD:	Li GL 2020.06.04			
CHKD:	Mao J 2020.06.04			
DRFT:	LXX 2017.12.25	NAME:	PC10-01P-1Y-00A(H)	
DRAWING NO.:		PC10-C01	REV	T1
TYPE: CUSTOMER DRAWING		SCALE: 1:1	SHEET	1/1

REV	ECN	DESCRIPTION	DRFT	DATE