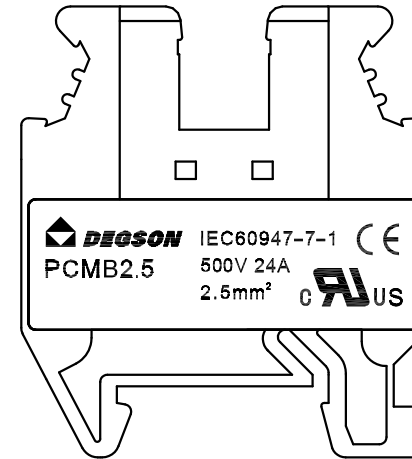
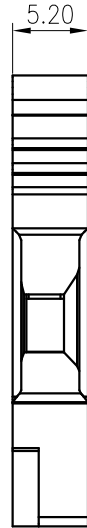
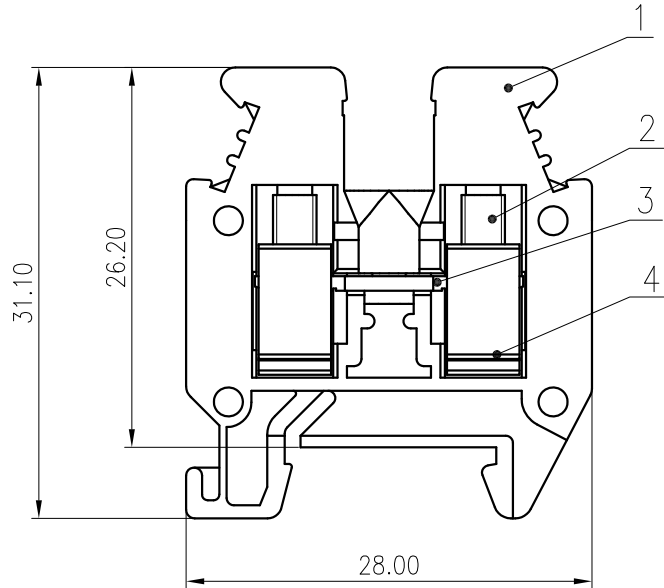
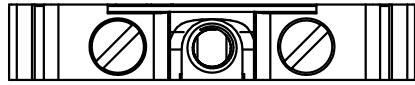


未注公差/General tolerances(mm)														
0	>3	>6	>10	>18	>30	>50	>80	>120	>180	>250	>315	>400	>500	0.1/10 ±2'
~3	~6	~10	~18	~30	~50	~80	~120	~180	~250	~315	~400	~500		
±0.12	±0.18	±0.22	±0.26	±0.31	±0.37	±0.57	±0.80	±0.93	±1.05	±1.15	±1.60	±2.20	±2.50	



JL 标准/UL Standard:	B	C	D
额定电压/电流/Rated Voltage(V)/Current(A)	300/20	/	300/10
IEC 标准/IEC Standard:			
过压类别/Overvoltage Category/污染等级/Pollution Degree	III/3	/	/
额定电压/电流/Rated Voltage(V)/Current(A)	500/24	/	/
额定脉冲电压(KV)/Rate Impulse Voltage(KV)	6.0	/	/
螺丝扭矩/Torque Tightening(N·m/Lb.in)	M3, 0.5/4.43		
线径范围(硬线和软线)/Wire Range(rigid and flexible)(mm²/AWG)	0.2~2.5/28~12		
间距/Pitch(mm)	5.2		
剥线长度/Stripping length(mm)	7-8		
使用温度范围/Operating temperature(°C)	-40~+105		
符合RoHS环保要求/Conform to RoHS	Yes		
标准颜色编号/Standard color number:	/		
PANTONE / RAL	/		

ITEM	NAME OF PART	MATERIAL	NOTES
4	Cage	Copper alloy	M3/Ni Plated
3	Current Carrier	Copper	Sn Plated
2	Screw	Copper alloy	M3/Ni Plated
1	Housing	PA66	UL94V-0

REV	ECN	DESCRIPTION	DRFT	DATE

MATERIAL:	SURFACE:
MAT NO.: /	
STATUS: /	
APPD: Li GL 2020.04.03	NAME: 宁波高松电子有限公司 NINGBO DEGSON ELECTRICAL CO., LTD
CHKD: Mao J 2020.04.03	PCMB2.5-01P-1Y-00A(H)
DRFT: XXD 2018.11.08	DRAWING NO.: PCMB2.5-C01
	REV T1
	SCALE: 2:1
	SHEET 1/1