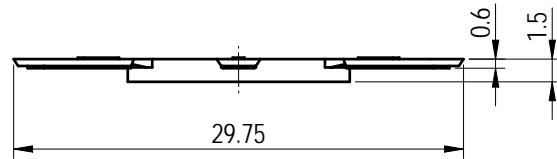
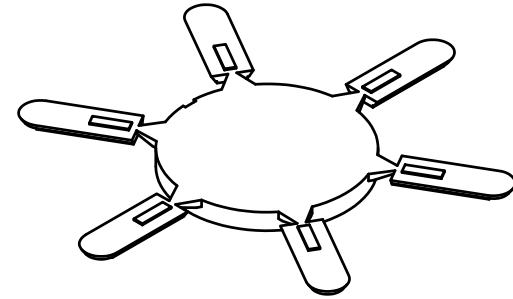
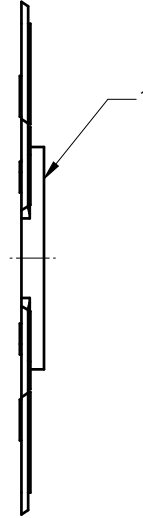
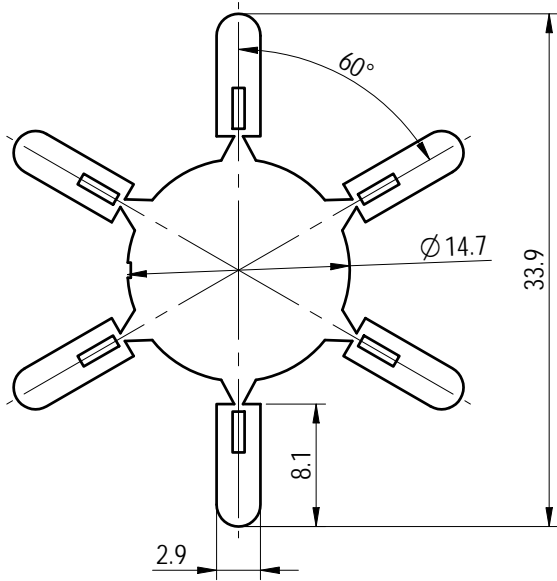


Transfer or duplication of this document as well as the utilization or communication of its content are prohibited unless authorized in writing by DEGSON. All rights reserved for patent, utility model or design registrations. 除零部件明确标注外, 未经许可, 不得复制或传播。 除零部件明确标注外, 未经许可, 不得复制或传播。 除零部件明确标注外, 未经许可, 不得复制或传播。

未注公差/General tolerances (mm)													0.1/10 ±2'	
0 ~ 3	>3 ~ 6	>6 ~ 10	>10 ~ 18	>18 ~ 30	>30 ~ 50	>50 ~ 80	>80 ~ 120	>120 ~ 180	>180 ~ 250	>250 ~ 315	>315 ~ 400	>400 ~ 500		>500
±0.12	±0.18	±0.22	±0.26	±0.31	±0.37	±0.57	±0.80	±0.93	±1.05	±1.15	±1.60	±2.20	±2.50	



Note:
The A&Z (H) in the name means:A (H) and Z (H).

ITEM	NAME OF PART	MATERIAL	NOTES
1	Housing	POM	UL94HB

使用温度范围/Operating temperature(°C)	-40~+95
符合RoHS环保要求/Conform to RoHS	Yes

APPD: 兰春华	2022.09.06
CHKD: 龚耀志	2022.09.06
DRFT: 周锡锦	2022.09.06

MATERIAL:	SURFACE/COLOR:		
MAT NO./REV: - / 00	MAT STATUS: 批量		
NAME 2EDG-PWI-06P-1Y-00A&Z (H)			
DRAWING NO. 200021034	TYPE CUSTOMER DRAWING	DRAWING STATUS 已发布	SCALE 2:1
		SHEET 1/1	

REV	ECN	DESCRIPTION	DRFT	DATE
00			周锡锦	2022.09.06