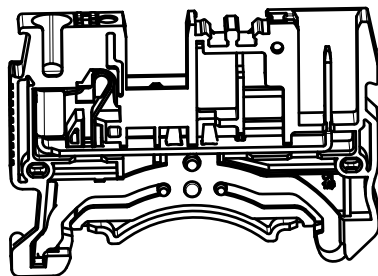
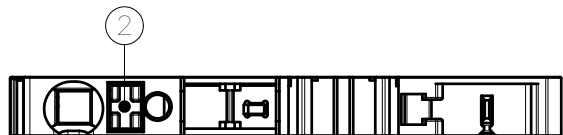
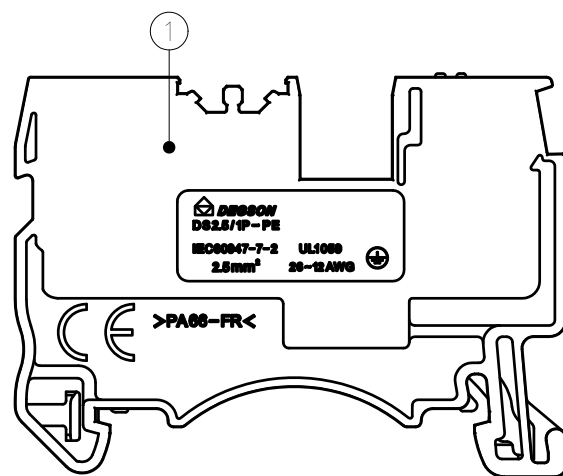
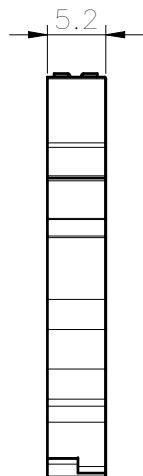
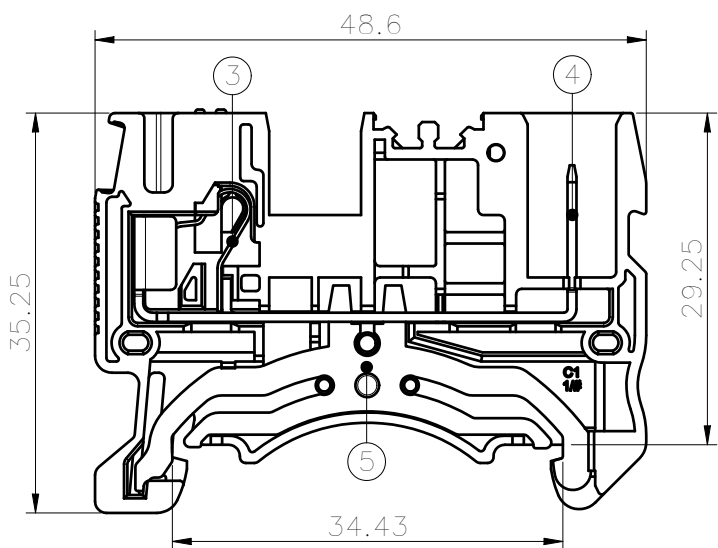


Transfer or duplication of this document as well as the utilization or communication of its contents are prohibited unless express authorization is granted. Degson will be liable for compensation. All rights reserved for patent, utility model or design registrations. 非经书面授权, 否则禁止转让、复制、利用、交加本文件的内容, 一经发现, 侵权必究。本公司保留对涉及发明、实用新型和外观设计的所有权利。

未注公差/General tolerances(mm)											0.1/10 ±2'		
0	>3	>6	>10	>18	>30	>50	>80	>120	>180	>250		>315	>400
3	6	10	18	30	50	80	120	180	250	315	400	500	>500
±0.12	±0.18	±0.22	±0.26	±0.31	±0.37	±0.57	±0.80	±0.93	±1.05	±1.15	±1.60	±2.20	±2.50



UL 标准/UL Standard:	B	C	D
额定电压/电流/Rated Voltage(V)/Current(A)	/	/	/
IEC 标准/IEC Standard:			
过压类别/Overvoltage Category/污染等级/Pollution Degree	III/3	III/2	II/2
额定电压/电流/Rated Voltage(V)/Current(A)	/	/	/
额定脉冲电压(KV)/Rate Impulse Voltage(KV)	6	/	/
线径范围/硬线和软线/Wire Range(rigid and flexible)(AWG/mm ²)	26~12 / 0.2~2.5&4(SOL)		
间距/Pitch(mm)/线数范围/Poles	5.2/N=01P		
剥线长度/Stripping length(mm)	10~12		
使用温度范围/Operating temperature(°C)	-40~+105		
符合 RoHS 环保要求/Conform to RoHS	Yes		
标准颜色编号/Standard color number: PANTONE / RAL	/		



5	Grounding	Copper alloy	Sn plated
4	Current carrier	Copper	Sn plated
3	Spring	Stainless steel	/
2	Button	PA66+GF%	UL94V-0
1	Housing	PA66	UL94V-0
ITEM	NAME OF PART	MATERIAL	NOTES

		MATERIAL: /	SURFACE: /	
		MAT NO./REV: /	MAT STATUS: /	
APPD: LiGL	2022.06.09	NAME		
CHKD: MaEK	2022.06.09	DS2.5/1P-PE-01P-1C-00A(H)		
DRFT: YanH	2022.06.09	DRAWING NO. /	TYPE CUSTOMER DRAWING	DRAWING STATUS /
REV	ECN	DESCRIPTION	SCALE 1.5:1	SHEET 1/1

00	/	/	YanH	2022.06.09
REV	ECN	DESCRIPTION	DRFT	DATE