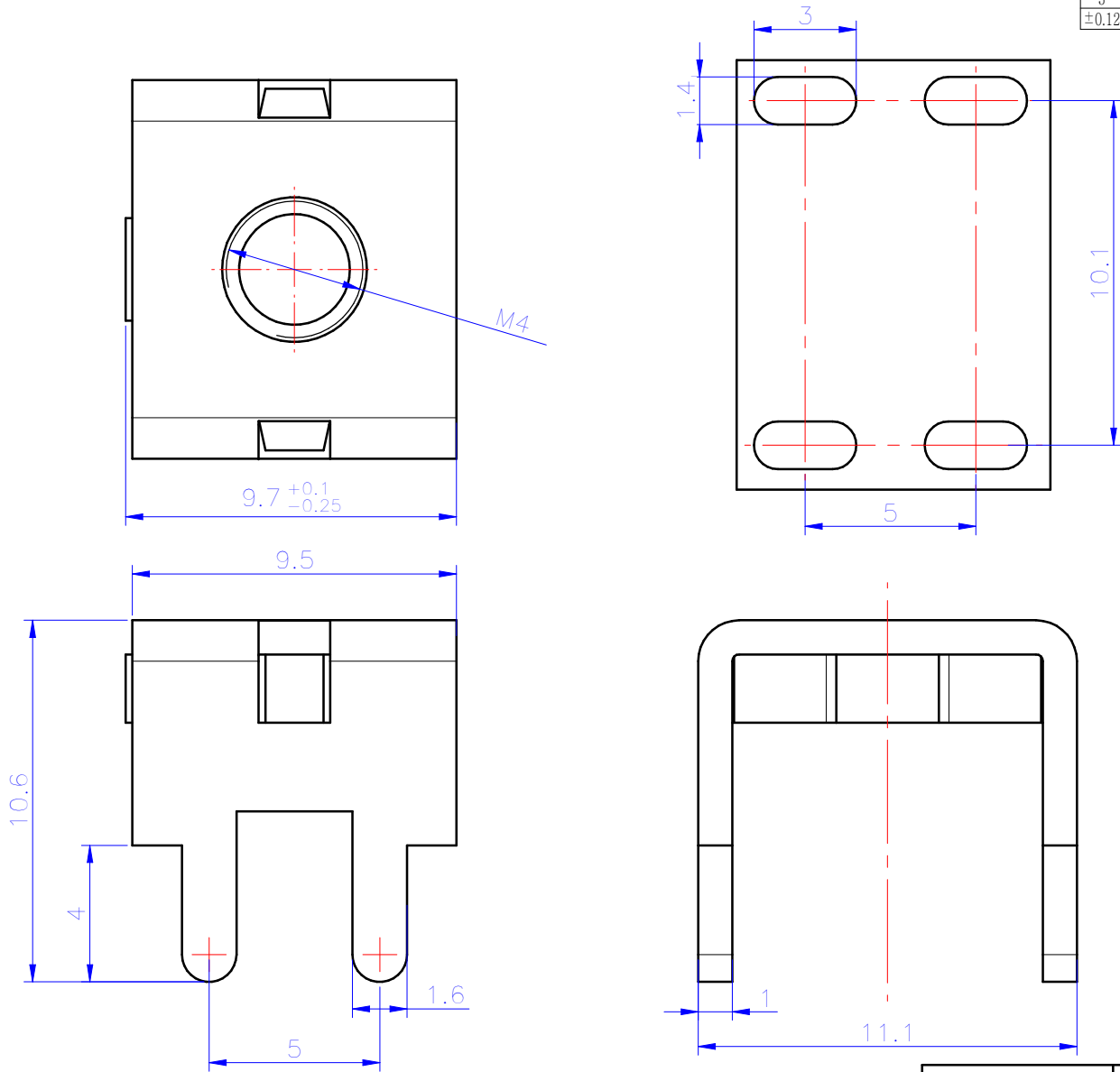


Transfer or duplication of this document as well as the utilization or communication of its contents are prohibited unless authorized in general. Violations will be liable for compensation. All rights reserved for patent, utility model or design registrations. 除专利、实用新型、发明专利、外观设计、软件著作权、集成电路布图设计专有权、商标权、著作权等知识产权外，其他权利均归本公司所有。未经许可，不得复制或传播。

PCB LAYOUT

未注公差/General tolerances(mm)													0.1/10
0	>3	>6	>10	>18	>30	>50	>80	>120	>180	>250	>315	>400	
~3	~6	~10	~18	~30	~50	~80	~120	~180	~250	~315	~400	~500	±2'
±0.12	±0.18	±0.22	±0.26	±0.31	±0.37	±0.57	±0.80	±0.93	±1.05	±1.15	±1.60	±2.20	



ITEM	NAME OF PART	MATERIAL	NOTES
1	Pin Header	/	Sn Plated
额定电流/Current(A)			60
螺丝扭矩/Torque Tightening(N·m/Lb.in)			M4, 1.8/16
符合 RoHS 环保要求/Conform to RoHS			Yes

<b>DEGSON</b>		MATERIAL: /	SURFACE/COLOR: /	
APPD: /		MAT NO./REV: 10900000058-1 / 00		MAT STATUS: 批量
CHKD: /		NAME		
DRFT: 谢晓栋		K40-00A(H)		
DATE: 2022-7-14		DRAWING NO. 200051646	TYPE CUSTOMER DRAWING	DRAWING STATUS /
A4		SCALE 5:1	SHEET 1/1	

REV	ECN	DESCRIPTION	DRFT	DATE
00	/	/	谢晓栋	2022-7-14

A

B

C

D