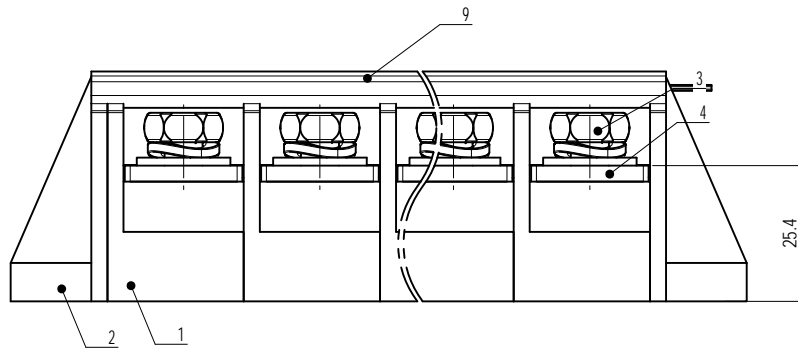
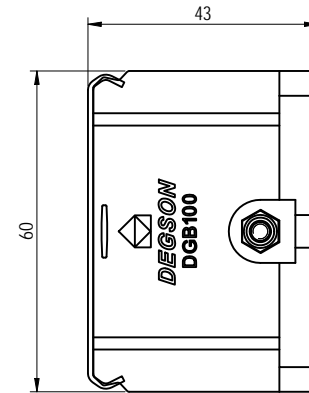
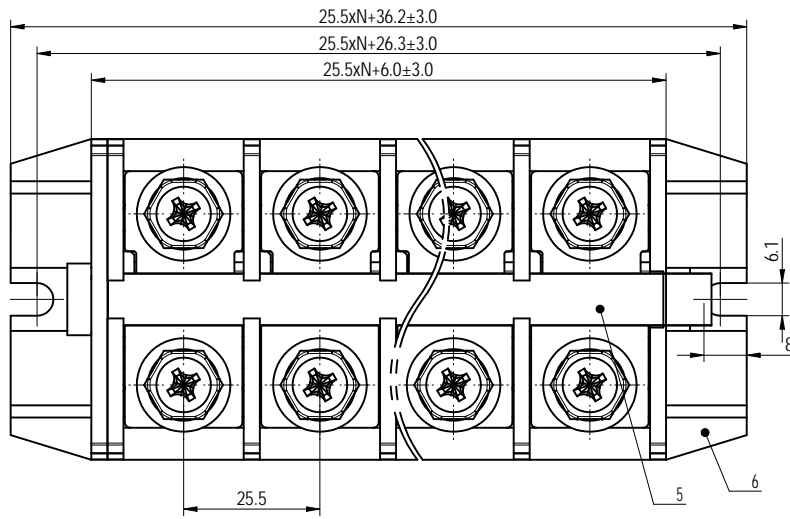
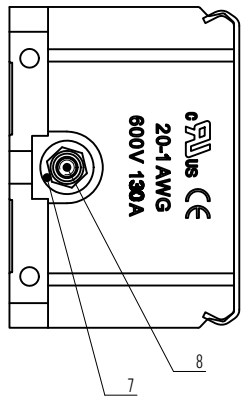


(W/O COVER VIEW)

公差/General tolerances (mm)													D	
0	>3	>6	>10	>18	>30	>50	>80	>120	>180	>250	>315	>400	>500	0.1/10
~	3	6	10	18	30	50	80	120	180	250	315	400	500	
±0.12	±0.18	±0.22	±0.26	±0.31	±0.37	±0.57	±0.80	±0.93	±1.05	±1.15	±1.60	±2.20	±2.50	±2



Note: The A&Z (H) in the name means: A (H) and Z (H).

ITEM	NAME OF PART	MATERIAL	NOTES
9	Cover	PC	UL94V-2
8	Connect pillar	Stainless steel	/
7	Nut	Steel	Zn Plated
6	Housing3	PC	UL94V-0
5	Tag	PVC	UL94V-0
4	Current carrier	Copper Alloy	Ni Plated
3	Screw	Steel	M8/Zn Plated
2	Housing2	PC	UL94V-0
1	Housing1	PC	UL94V-0

UL 标准/UL Standard	B	C	D
额定电压/电压/Rated Voltage(V)/Current(A)	600V/130	600/130	/
拧紧扭矩/Torque Tightening(N·m)/lb.in	UK	6.75/60	
线径范围/硬线和软线/Wire Range(rigid and flexible)(AWG)		20-2	
间距/Pitch(mm)/线数范围/Poles		25.5/N=02~11P	
使用温度范围/Operating temperature(°C)		-40~+125	
符合RoHS 环保要求/Conform to RoHS		Yes	

DEGSON		MATERIAL:	SURFACE/COLOR:			
APPD: 蓝美凡	2022.11.17	MAT NO./REV: - / 00	MAT STATUS: 批量			
CHKD: 曹利彬	2022.11.17	NAME: DGB100-A-XXP-1Y-10A&Z(H)				
DRAFT: 姜民浩	2022.11.17	DRAWING NO. 200120518	TYPE CUSTOMER DRAWING	DRAWING STATUS 已发布	SCALE 1:1	SHEET 1/1

REV	ECN	DESCRIPTION	DRAFT	DATE
00				

Transfer or duplication of this document as well as the utilization or reproduction of its contents without the written permission of DEGSON is prohibited. 未经授权复制或传播本文件及其内容，或未经许可擅自使用本文件及其内容，均属侵权行为。 版权所有，保留所有权利。 All rights reserved for patent.