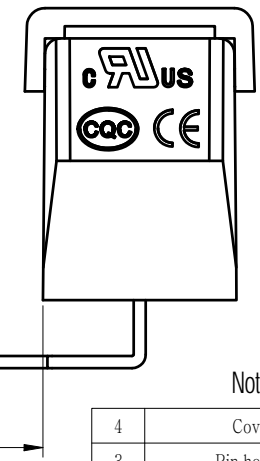
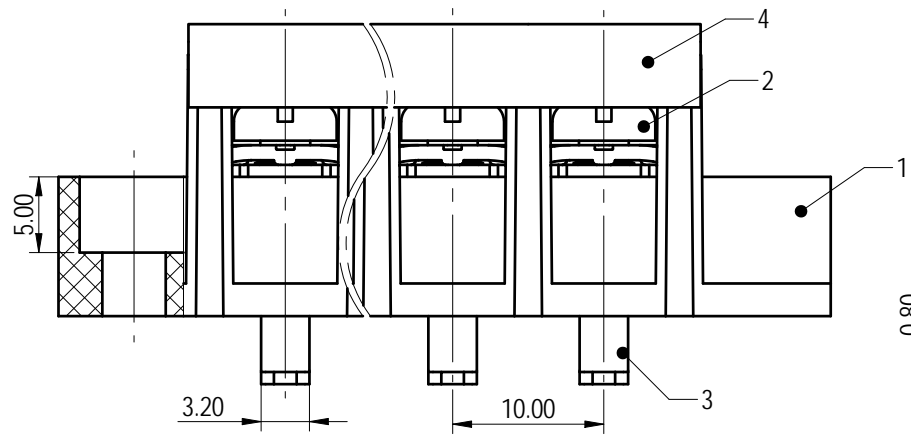
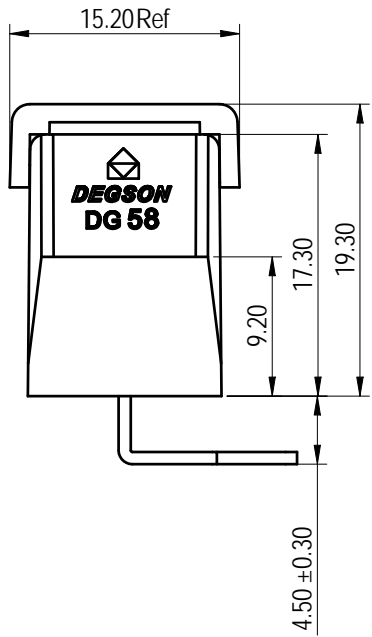
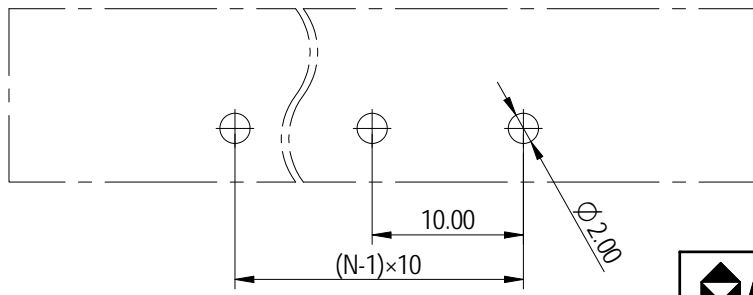


未注公差/General tolerances (mm)											0.1/10																
0	>3	>6	>10	>18	>30	>50	>80	>120	>180	>250																	
~3	~6	~10	~18	~30	~50	~80	~120	~180	~250	~315	~400	~500	±0.12	±0.18	±0.22	±0.26	±0.31	±0.37	±0.57	±0.80	±0.93	±1.05	±1.15	±1.60	±2.20	±2.50	±2'



Note: The A&Z(H) in the name means: A(H) and Z(H).

ITEM	NAME OF PART	MATERIAL	NOTES
4	Cover	PC	UL94V-0
3	Pin header	Copper alloy	M4/Sn Plated
2	Screw	Steel	M4/Ni Plated
1	Housing	PA66	UL94V-0



UL 标准/UL Standard:			B	C	D
额定电压/电流/Rated Voltage(V)/Current(A)			300/20	/	300/10
螺丝扭矩/Torque Tightening(N·m/Lb.in)			M4, 1.2/10.53		
线径范围(硬线和软线)/Wire Range(rigid and flexible)(AWG/mm²)			22~12		
间距/Pitch(mm)/线数范围/Poles			10/N=02~20P		
使用温度范围/Operating temperature(°C)			-40~+105		
符合RoHS环保要求/Conform to RoHS			Yes		

<b>DEGSON</b>		MATERIAL:	SURFACE/COLOR:	
APPD: 蓝贵凡	2022.12.06	MAT NO./REV:	/ 00	
CHKD: 曹利彬	2022.12.06	NAME		
DRFT: 孙科豪	2022.12.06	DG58R-A-1Y-00A&Z(H)		
DRAWING NO. 200122916		TYPE	CUSTOMER DRAWING	DRAWING STATUS
SCALE 2:1		SHEET 1/1		已发布

REV	ECN	DESCRIPTION	DRFT	DATE
00				

Transfer or duplication of this document as well as the utilization or communication of its content are prohibited unless authorized in writing. All rights reserved for patent, utility model or design registrations. 除专利、实用新型、外观设计、软件著作权等依法注册、申请、使用、无侵权文件外，本公司保留对涉及发明、实用新型、外观设计、软件著作权等依法注册、申请、使用、无侵权文件的所有权利。