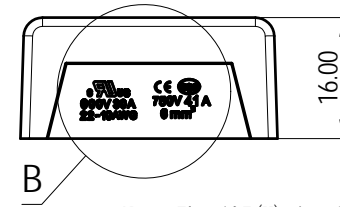
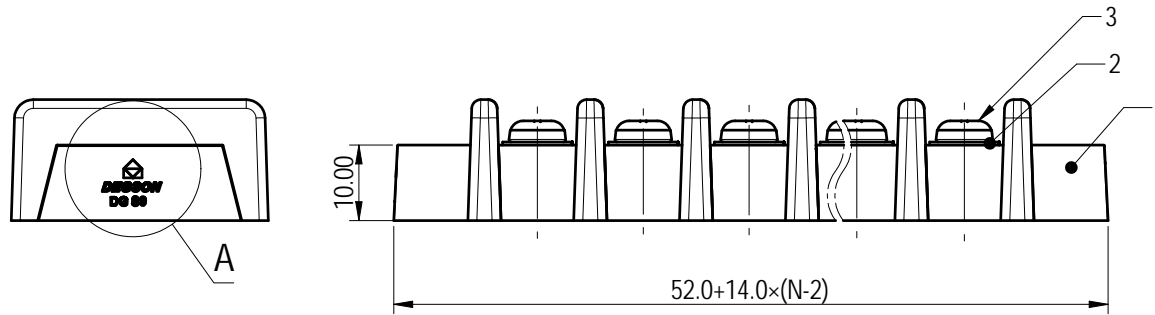
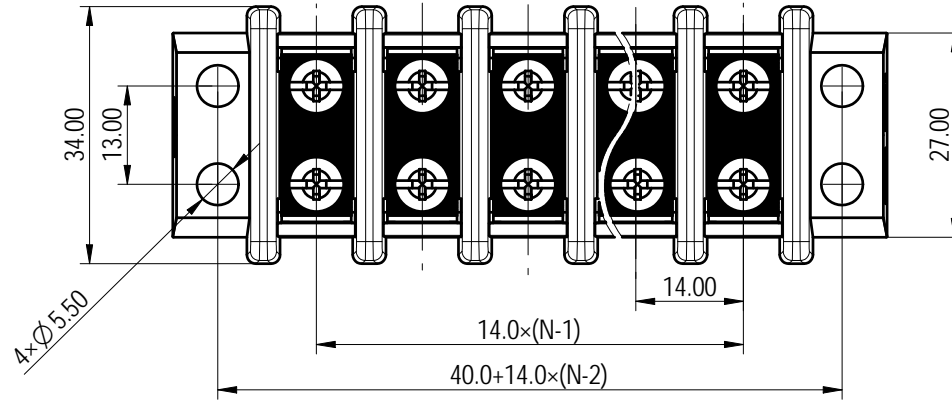
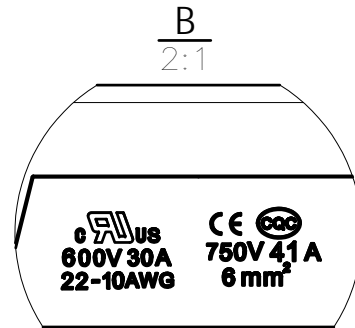
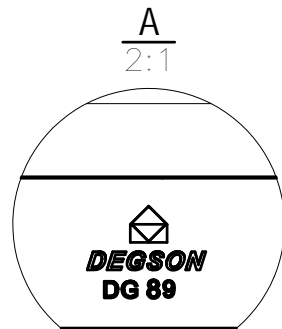


未注公差/General tolerances (mm)													0.1/10 ±2'	
0 ~ 3	>3 ~ 6	>6 ~ 10	>10 ~ 18	>18 ~ 30	>30 ~ 50	>50 ~ 80	>80 ~ 120	>120 ~ 180	>180 ~ 250	>250 ~ 315	>315 ~ 400	>400 ~ 500		>500
±0.12	±0.18	±0.22	±0.26	±0.31	±0.37	±0.57	±0.80	±0.93	±1.05	±1.15	±1.60	±2.20	±2.50	



Note: The A&Z(H) in the name means: A(H) and Z(H).



ITEM	NAME OF PART	MATERIAL	NOTES
3	Screw	Steel	Ni Plated
2	Pin header	Copper alloy	Sn Plated
1	Housing	PC	UL94V-0

UL 标准/UL Standard:	B	C	D
额定电压/电流/Rated Voltage(V)/Current(A)	600/30	/	600/5
IEC 标准/IEC Standard:			
额定电压/电流/Rated Voltage(V)/Current(A)	750/41		
螺丝扭矩/Torque Tightening(N·m/Lb.in)	M4, 1.2/10.53		
线径范围(硬线和软线)/Wire Range(rigid and flexible)(AWG/mm²)	22~10		
间距/Pitch(mm)/线数范围/Poles	14.0/N=02~18P		
使用温度范围/Operating temperature(°C)	-40~+105		
符合RoHS环保要求/Conform to RoHS	Yes		

<b>DEGSON</b>		MATERIAL:	SURFACE/COLOR:		
APPD: 蓝贵凡	2023.02.06	MAT NO./REV:	/ 00 MAT STATUS: 批量		
CHKD: 曹利彬	2023.02.06	NAME			
DRFT: 孙科豪	2023.02.06	DG89-A-XXP-1Y-00A&Z(H)			
DRAWING NO. 200126312		TYPE	DRAWING STATUS	SCALE	SHEET
		CUSTOMER DRAWING	已发布	1:1	1/1

REV	ECN	DESCRIPTION	DRFT	DATE
00				

Transfer or duplication of this document as well as the utilization or communication of its content are prohibited unless authorized in writing by Degson. All rights reserved for patent, utility model or design registrations. 除专利、实用新型、外观设计注册外，其他内容均受法律保护。未经许可，不得复制或传播。 Degson 保留所有权利。