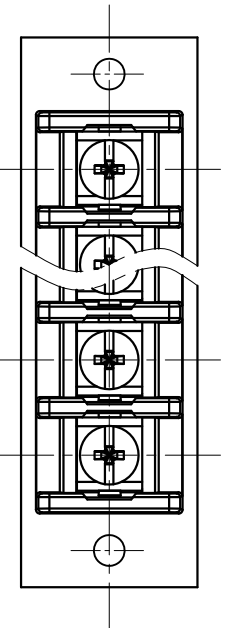
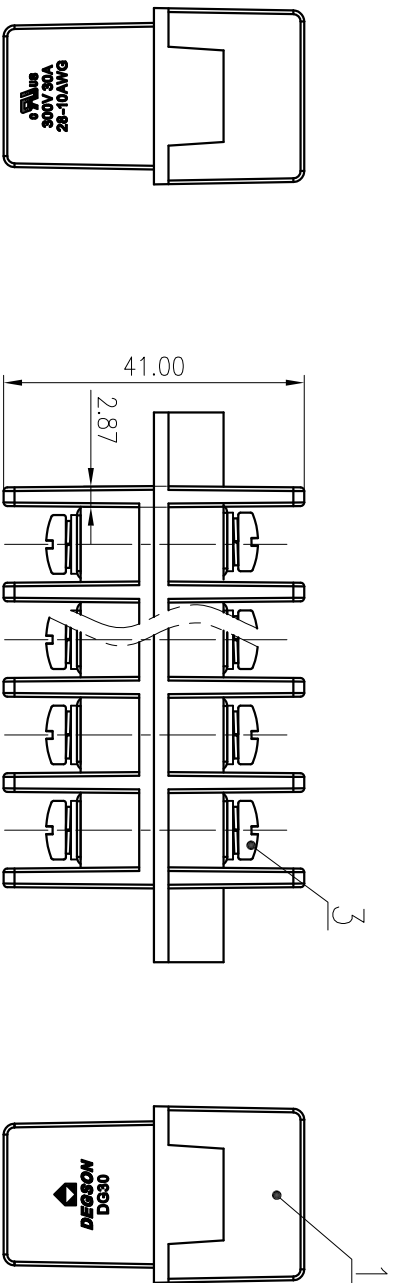
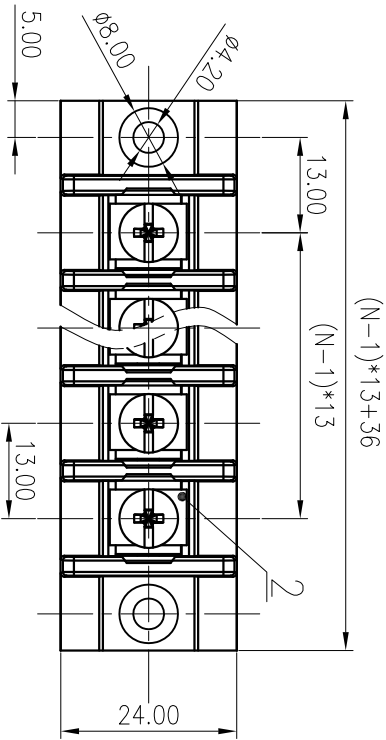


公差/General Tolerances(mm)		公差/General Tolerances(mm)	
0	>3	>18	>50
~	~	~	~
3	~	~	~
6	~	~	~
10	~	~	~
18	~	~	~
30	~	~	~
50	~	~	~
80	~	~	~
120	~	~	~
180	~	~	~
250	~	~	~
315	~	~	~
400	~	~	~
500	~	~	~
>500	~	~	~
±0.12	±0.18	±0.22	±0.26
±0.31	±0.37	±0.57	±0.80
±1.05	±1.15	±1.60	±2.20
±2.50	±2.50	±2.50	±2.50
∅	∅	∅	∅
0.1/10	0.1/10	0.1/10	0.1/10
±2'	±2'	±2'	±2'



UL 标准/UL Standard:	B	C	D
额定电压/电流/Rated Voltage(V)/Current(A)	300/30	/	300/10
IEC 标准/IEC Standard:	III/3	III/2	II/2
过压类别/Overvoltage Category/污染等级/Pollution Degree	III/3	III/2	II/2
额定电压/电流/Rated Voltage(V)/Current(A)	800/41	1000/41	1000/41
额定脉冲电压(KV)/Rate Impulse Voltage(KV)	6	8	6
螺丝扭矩/Torque Tightening(N·m/Lb·in)	M4, 1.2/10.53		
线径范围(硬线和软线)/Wire Range(rigid and flexible)(mm <sup>2</sup> /AWG)	6/28~10		
可焊/Pitch(mm)/线数范围/Poles	13.0/N=02~10P		
使用温度范围/Operating temperature(°C)	-40~+120		
符合RoHS环保要求/Conform to RoHS	Yes		
MATERIAL:	Steel	Zn Plated	
1	Pin header	Copper alloy	Sn Plated
2	Housing	PA66	UL94V-0
3	NAME OF PART	MATERIAL	NOTES
SURFACE: /			

MATERIAL: /  
 MAT NO.: /  
 STATUS: /  
 APPD: /  
 CHKD: /  
 DRAFT: WU NK 2020.06.15  
 NAME: **DEGSON** 宁波高松电子有限公司  
 NINGBO DEGSON ELECTRICAL CO., LTD  
 DRAWING NO.: DG30-A-C-01  
 TYPE: CUSTOMER DRAWING  
 SCALE: 1:1  
 SHEET 1/1

REV	ECN	DESCRIPTION	DRAFT	DATE