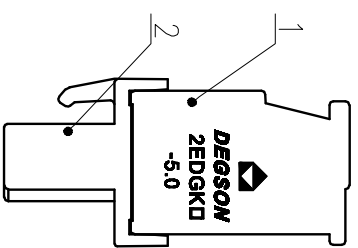
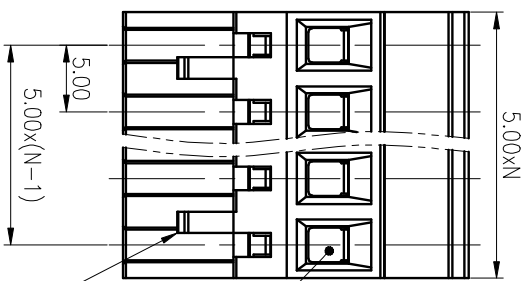
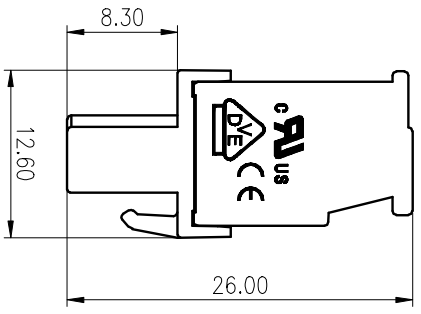
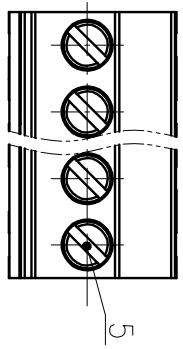


公差等级/General Tolerances(mm)	0	>3	>6	>10	>18	>30	>50	>80	>120	>180	>250	>315	>400	0.1/10
~	~	~	~	~	~	~	~	~	~	~	~	~	~	~
±0.12/±0.18	±0.22	±0.26	±0.31	±0.37	±0.57	±0.80	±0.93	±1.05	±1.15	±1.60	±2.20	±2.50	±2.50	±2



02P: Clasp on the right from this view

ITEM	NAME OF PART	MATERIAL	NOTES
1	Housing	PA66	UL94V-0
2	Cover	PA66	UL94V-0
3	Clamp	Copper alloy	Sn Plated
4	Cage	Copper alloy	M3/Ni Plated
5	Screw	Steel	M3/Zn Plated

UL 标准/UL Standard:	B	C	D
额定电压/额定/Retd Voltage(V)/Current(A)	300/15	/	300/10
IEC 标准/IEC Standard:			
过压类别/Overvoltage Category/污染等	III/3	III/2	II/2
额定电压/电涌/Rated Voltage(V)/Current(A)	/	320/18	/
额定冲击电压(KV)/Rote Impulse Voltage(KV)	/	4	/
额定扭矩/Torque Tightening(N·m/Lbin)	M3: 0.59/5.21		
线径范围(导线规格)/Wire Range(rigid and flexible)(mm <sup>2</sup> /AWG)	1.0~2.5/28~12		
间距/Pitch(mm)/极数/Poles	5.0/N=02~24P		
剥线长度/Stripping length(mm)	7		
工作温度范围/Operating temperature(°C)	-40~+105		
符合RoHS环保要求/Conform to RoHS	Yes		

MATERIAL: / SURFACE: /

MAT NO.: / STATUS: /

APPD: Lon CHH 2020.06.05  
CHKD:Gong YZh 2020.06.05

NAME: **DEGSON® NINGBO DEGSON ELECTRICAL CO., LTD**  
**2EDGKA-5.0-XXP-1Y-1000A(H)**  
DRAWING NO.: 2EDGKA-5.0-C15

REV	ECN	DESCRIPTION	DRAFT	DATE	SIZE: A4	SCALE: 2:1	SHEET
					mm / inch		1/1

A B C D

1 2 3 4 5 6