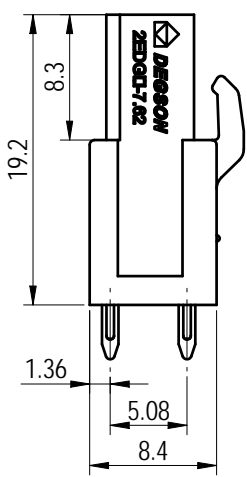
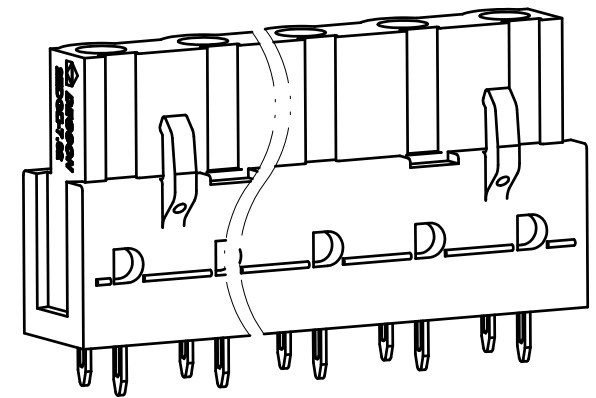
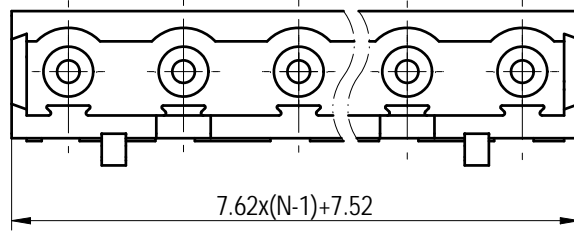
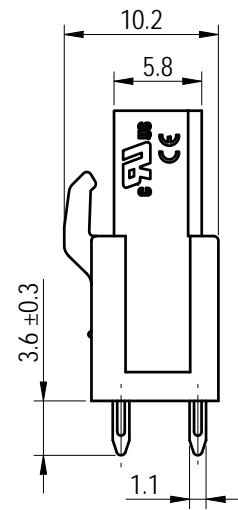
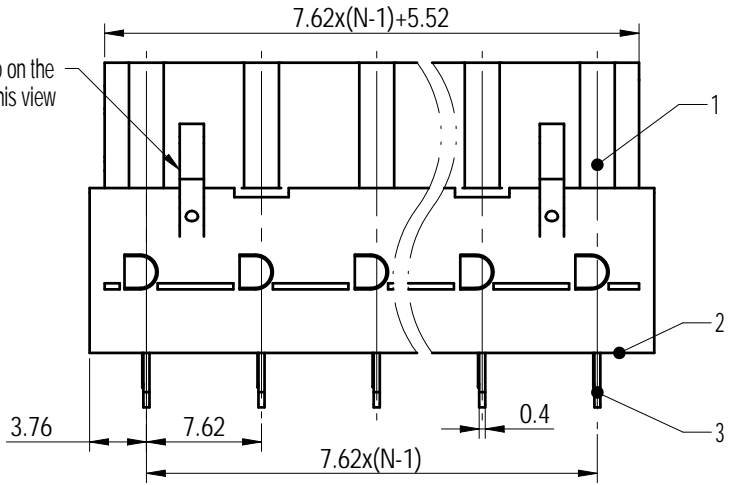


未注公差/General tolerances (mm)												0.1/10		
0 ~ 3	>3 ~ 6	>6 ~ 10	>10 ~ 18	>18 ~ 30	>30 ~ 50	>50 ~ 80	>80 ~ 120	>120 ~ 180	>180 ~ 250	>250 ~ 315	>315 ~ 400		>400 ~ 500	>500
±0.12	±0.18	±0.22	±0.26	±0.31	±0.37	±0.57	±0.80	±0.93	±1.05	±1.15	±1.60	±2.20	±2.50	±2°



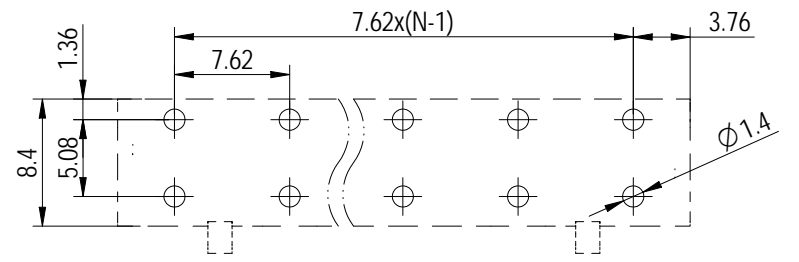
02P:Clasp on the left from this view



Note:
The A&Z(H) in the name means: A(H) and Z(H).

ITEM	NAME OF PART	MATERIAL	NOTES
3	Clamp	Copper alloy	Sn Plated
2	Cover	PA66	UL94V-0
1	Housing	PA66	UL94V-0

PCB LAYOUT



UL 标准/UL Standard:	B	C	D
额定电压/电流/Rated Voltage(V)/Current(A)	300/15	/	300/10
IEC 标准/IEC Standard:			
过压类别/Ovenvoltage Category/污染等级/Pollution Degree	III/3	III/2	II/2
额定电压/电流/Rated Voltage(V)/Current(A)	500/20	630/20	1000/20
额定脉冲电压(KV)/Rate Impulse Voltage(KV)	6	6	6
间距/Pitch(mm)/线数范围/Poles	7.62/N=02~16P		
使用温度范围/Operating temperature(°C)	-40~+105		
符合RoHS环保要求/Conform to RoHS	Yes		
标准颜色编号/Standard color number: PANTONE / RAL	/		

DEGSON		MATERIAL:	SURFACE/COLOR:		
APPD: 兰春华	2022.11.07	MAT NO./REV:	/ 00 MAT STATUS: 批量		
CHKD: 龚耀志	2022.11.04	NAME			
DRFT: 刘强	2022.11.03	2EDGB-7.62-XXP-1Y-00A&Z(H)			
00	ECN	DESCRIPTION	DRAWING NO.	TYPE	DRAWING STATUS
REV	ECN	DESCRIPTION	200030421	CUSTOMER DRAWING	已发布
刘强	2022.11.03		SCALE	2:1	SHEET
DRFT	DATE				1/1
			A4		

Transfer or duplication of this document as well as the utilization or communication of its contents are prohibited without express authorization by Degson. Violations will be liable for compensation. All rights reserved for patent, utility model or design registrations. 除专利与外观设计外, 复制、使用、分发本文件的内容, 或未经授权的复制或传播, 均须承担赔偿责任。本公司保留所有未授权的专利、实用新型和外观设计的所有权利。