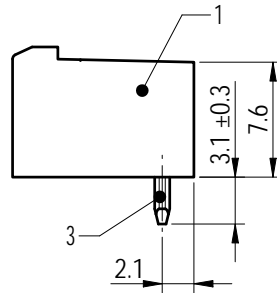
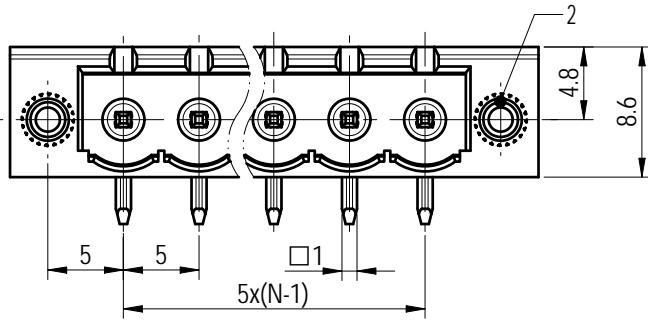
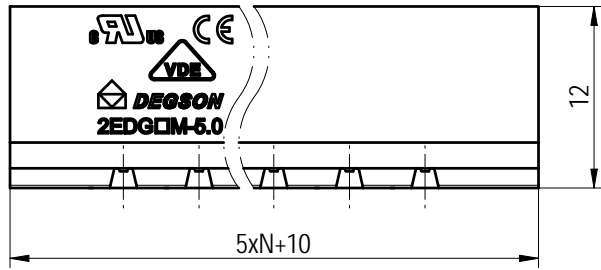
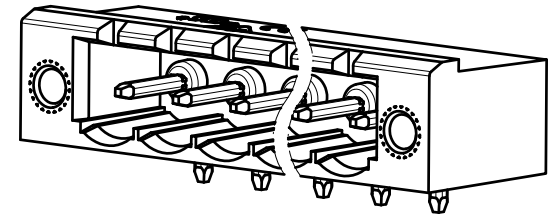
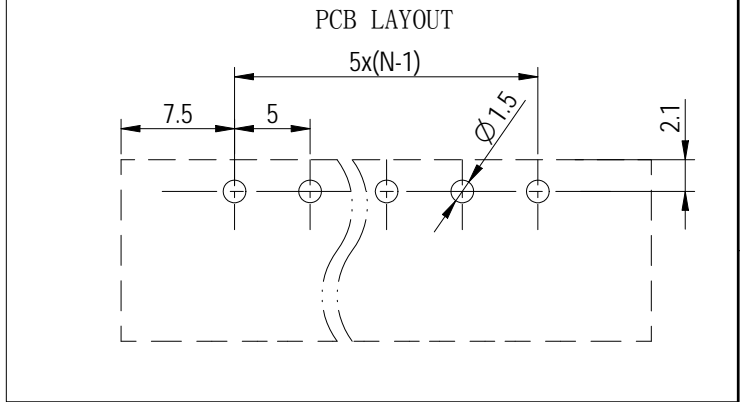


Transfer or duplication of this document as well as the utilization or communication of its content are prohibited unless authorized in writing by DEGSON. All rights reserved for patent, utility model or design registrations. 除专利、实用新型、外观设计、商标、注册、著作权等文件的所有权外，其他权利均保留。未经许可，不得复制或传播本文件内容。



公差/General tolerances (mm)													D 0.1/10	
0	>3	>6	>10	>18	>30	>50	>80	>120	>180	>250	>315	>400		>500
±0.12	±0.18	±0.22	±0.26	±0.31	±0.37	±0.57	±0.80	±0.93	±1.05	±1.15	±1.60	±2.20	±2.50	±2'



Note:
The A&Z(H) in the name means: A(H) and Z(H).

ITEM	NAME OF PART	MATERIAL	NOTES
3	Pin	Copper	Sn Plated
2	Nut	Copper alloy	/
1	Housing	PA66	UL94V-0

UL 标准/UL Standard:	B	C	D
额定电压/电流/Rated Voltage(V)/Current(A)	300/15	/	300/10
IEC 标准/IEC Standard:			
过压类别/Overvoltage Category/污染等级/Pollution Degree	III/3	III/2	II/2
额定电压/电流/Rated Voltage(V)/Current(A)	/	320/20	/
额定脉冲电压(KV)/Rate Impulse Voltage(KV)	/	4	/
间距/Pitch(mm)/线数范围/Poles	5.0/N=02~22P		
使用温度范围/Operating temperature(°C)	-40~+105		
符合RoHS环保要求/Conform to RoHS	Yes		

APPD: 兰春华	2022.10.19
CHKD: 龚耀志	2022.10.17
DRFT: 周锡锦	2022.10.17

MATERIAL:		SURFACE/COLOR:	
MAT NO./REV: - / 00		MAT STATUS: 批量	
NAME			
2EDGRM-5.0-XXP-1Y-100A&Z(H)			
DRAWING NO.	TYPE	DRAWING STATUS	SCALE
200021063	CUSTOMER DRAWING	已发布	2:1
		SHEET	1/1

REV	ECN	DESCRIPTION	DRFT	DATE
00			周锡锦	2022.10.17