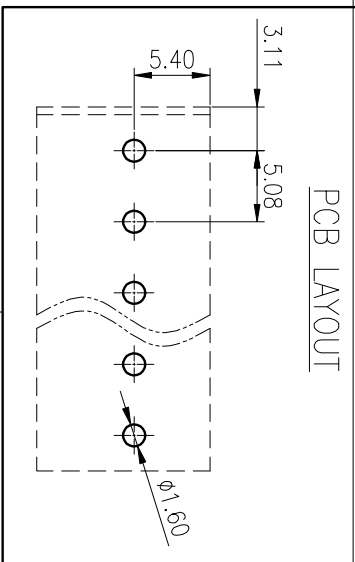
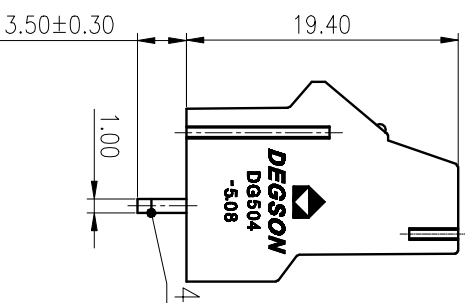
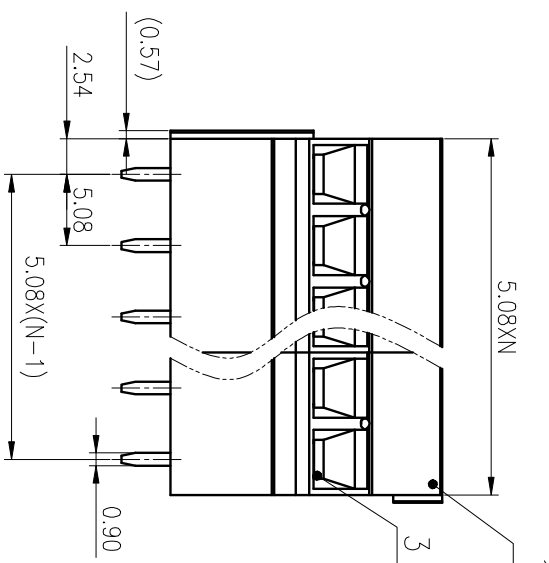
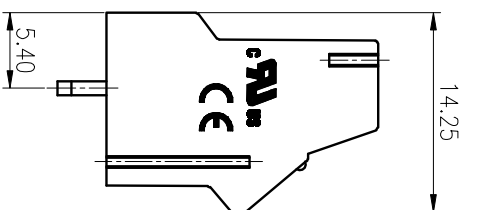
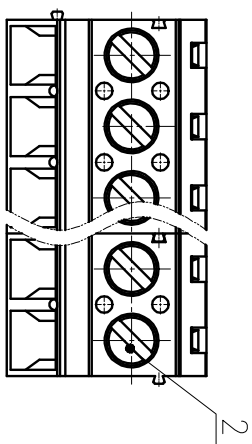


精度等级/General Tolerances(mm)		公差等级/General Tolerances(mm)										公差等级/General Tolerances(mm)	
0	>3	>6	>10	>18	>30	>50	>80	>120	>180	>250	>315	>400	0.1/10
~	~	~	~	~	~	~	~	~	~	~	~	~	
3	6	10	18	30	50	80	120	180	250	315	400	500	±Z
±0.12	±0.18	±0.22	±0.26	±0.31	±0.37	±0.57	±0.80	±0.93	±1.05	±1.15	±1.60	±2.20	



REV	ECN	DESCRIPTION	DRAFT	DATE	SIZE: A4	TYPE: CUSTOMER DRAWING	SCALE: 2:1	SHEET
1								1/1
2								
3								
4								
5								
6								

ITEM	NAME OF PART	MATERIAL	NOTES
4	Pin header	Copper	Sn plated
3	Cage	Copper alloy	M3/Ni plated
2	Screw	Steel	M3/Zn plated
1	Housing	PA66	UL94V-0

UL 标准/UL Standard:	B	C	D
额定电压/电涌/Rated Voltage(V)/Current(A)	300/20	/	300/10
IEC 标准/IEC Standard:			
过压类别/Overvoltage Category/污染等级/Pollution Degree	III/3	III/2	II/2
额定电压/电涌/Rated Voltage(V)/Current(A)	250/20	400/20	630/20
额定脉冲电压(kV)/Rate Impulse Voltage(kV)	4	4	4
额定扭矩/扭矩 Tightening(N·m/Lb·in)	M3, 0.5/4.43		
线径范围(硬线和软线)/Wire Range(rigid and flexible)(mm <sup>2</sup> /AWG)	0.2~2.5/30~12		
间距/Pitch(mm)/线数范围/Poles	5.08/N=02~24P		
剥线长度/Stripping length(mm)	10~11		
使用温度范围/Operating temperature(°C)	-40~+105		
符合RoHS环保要求/Conform to RoHS	Yes		

MATERIAL:	SURFACE: /
MAT NO.:	/
STATUS:	/
APPD: LanchH 2020.05.14	NAME: <b>DEGSON® NINGBO DEGSON ELECTRICAL CO., LTD</b>
CHKD: YJUZ 2020.05.14	DWG504-5.08-XXP-1Y-00A(H)
DRT: GYZ 2015.03.19	DRAWING NO.: DG504-5.08-C01