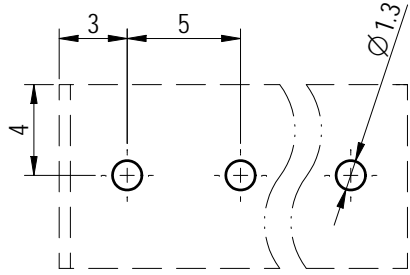
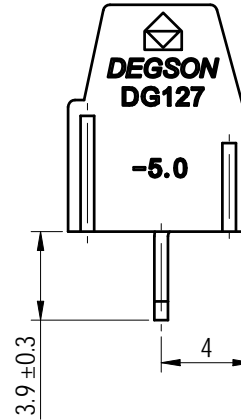
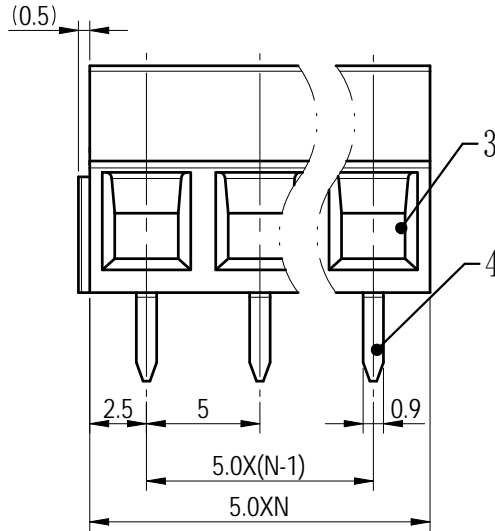
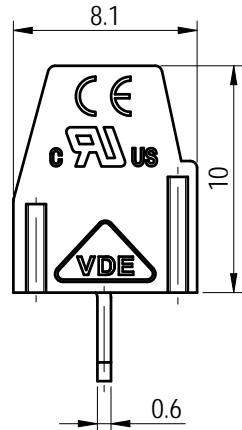
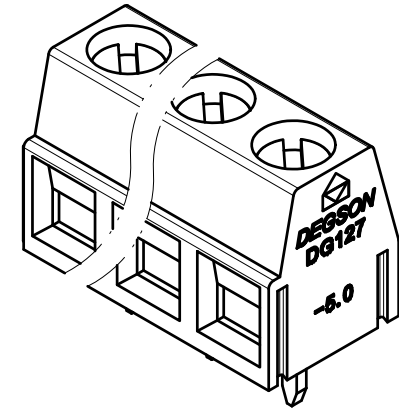
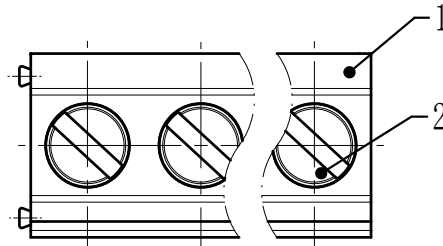


PCB LAYOUT



| 公差/General tolerances (mm) | | | | | | | | | | | | 0.1/10 | | |
|----------------------------|-------|-------|-------|-------|-------|-------|-------|-------|-------|-------|-------|--------|-------|------|
| 0 | >3 | >6 | >10 | >18 | >30 | >50 | >80 | >120 | >180 | >250 | >315 | | >400 | >500 |
| ±0.12 | ±0.18 | ±0.22 | ±0.26 | ±0.31 | ±0.37 | ±0.57 | ±0.80 | ±0.93 | ±1.05 | ±1.15 | ±1.60 | ±2.20 | ±2.50 | ±2' |



Note:
The A&Z(H) in the name means: A(H) and Z(H).

| ITEM | NAME OF PART | MATERIAL | NOTES |
|------|--------------|--------------|--------------|
| 4 | pin header | Copper alloy | Sn Plated |
| 3 | Cage | Copper alloy | M3/Ni Plated |
| 2 | Screw | Steel | M3/Zn Plated |
| 1 | Housing | PA66 | UL94V-0 |

| UL 标准/UL Standard: | B | C | D |
|---|------------------------------------|---|---|
| 额定电压/电流/Rated Voltage(V)/Current(A) | 300/12 | / | / |
| IEC 标准/IEC Standard: | | | |
| 过压类别/Overvoltage Category/污染等级/Pollution Degree | III/2 | | |
| 额定电压/电流/Rated Voltage(V)/Current(A) | 250/15 | | |
| 工频耐压/Withstanding voltage(V/1Min) | AC2000 | | |
| 螺丝扭矩/Torque Tightening(N·m/Lb.in) | M3, 02P 0.34/3.04 ≥03P 0.5/4.43 | | |
| 线径范围(硬线和软线)/Wire Range(rigid and flexible)(AWG/mm²) | 26~14 / 0.75~1.5 | | |
| 间距/Pitch(mm)/线数范围/Poles | 5.0/N=02~24P | | |
| 剥线长度/Stripping length(mm) | 6~7 | | |
| 使用温度范围/Operating temperature(°C) | -40~+105 | | |
| 符合RoHS环保要求/Conform to RoHS | Yes | | |



| | |
|--------------|----------------|
| MATERIAL: | SURFACE/COLOR: |
| MAT NO./REV: | MAT STATUS: 批量 |

| | | | | | | |
|-----------|------------|------|-----------------------------|--|--|--|
| APPD: 兰春华 | 2022.08.23 | NAME | DG127-5.0-XXP-1Y-1000A&Z(H) | | | |
| CHKD: 陈招 | 2022.08.23 | | | | | |

| REV | ECN | DESCRIPTION | DRFT | DATE | 比例 | 图框 | DRAWING NO. | TYPE | DRAWING STATUS | SCALE | SHEET |
|-----|-----|-------------|------|------------|----|----|-------------|------------------|----------------|-------|-------|
| 00 | | | 龚徐涛 | 2022.08.23 | | A4 | 200104012 | CUSTOMER DRAWING | 已发布 | 3:1 | 1/1 |

Transfer or duplication of this document as well as the utilization or communication of its content are prohibited unless authorized in writing by the copyright owner. All rights reserved for patent, utility model or design registrations. 除专利权、商标权、外观设计权、实用新型权、发明专利权等权利外，其他权利均归权利人所有。未经许可，不得复制或传播。