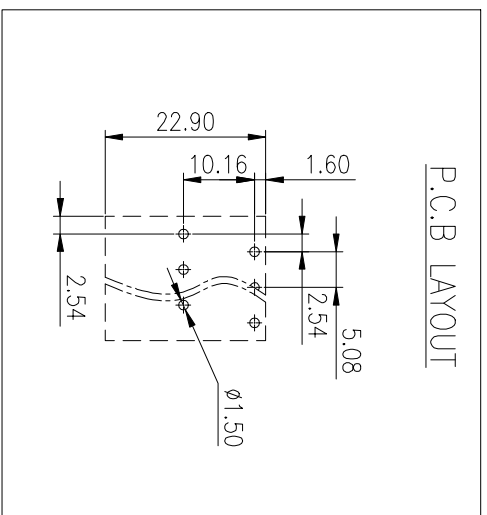


公差等级/General	tolerance(mm)	0	>3	>6	>10	>18	>30	>50	>80	>120	>180	>250	>315	>400	>500	0.1/10
~	~	~	~	~	~	~	~	~	~	~	~	~	~	~	~	±Z
±0.12	±0.18	±0.22	±0.26	±0.31	±0.37	±0.57	±0.80	±0.93	±1.05	±1.15	±1.60	±2.20	±2.50			

P.C.B LAYOUT



6	Cage	Copper Alloy	M2.5/Ni plated
5	Screw	Steel	M2.5/Zn plated
4	Pin header2	Copper Alloy	Sn plated
3	Pin header1	Copper Alloy	Sn plated
2	Housing2	PA66	UL94V-0
1	Housing1	PA66	UL94V-0
ITEM	NAME OF PART	MATERIAL	NOTES
UL 标准 /UL Standard:		B	C
额定电压/电涌/Rated Voltage(V)/Current(A)		300/20	300/10
IEC 标准/IEC Standard:			
过压类别/Overvoltage Category/特类等		/	III/2
级/Pollution Degree		/	/
额定电压/电涌/Rated Voltage(V)/Current(A)		/	250/18
工额电压/Withstanding Voltage (V/min)		/	AC2000
螺丝扭矩/Torque Tightening(N·m/Lb.in)		M2.5, 0.4/3.54	/
线径范围(硬线和软线)/Wire Range(rigid and flexible)(mm² /AWG)		1.0~2.5/28~12	/
间距/Pitch(mm)/线径范围/Poles		5.08/N=04~xxP	6~7
剥线长度/Stripping length(mm)			6~7
使用温度范围/Operating Temperature(°C)			-40~+105
符合RoHS标准/Conform to RoHS			Yes
标准颜色编号/Standard color number:			/
PANTONE / RAL			/

MATERIAL:

MAT NO.: /

STATUS: /

APPD: LI GL 2020.06.16

CHKD: MGO J 2020.06.16

DRT: Feng X 2020.06.12

NAME: **DEGSON® NINGBO DEGSON ELECTRICAL CO., LTD**

NAME: **DG500BB-5.08-XXP-1Y-00A(H)**

DRAWING NO.: DG500BB-5.08-E01

TYPE: CUSTOMER DRAWING

REV	ECN	DESCRIPTION
1		
2		

DRT	DATE

SIZE: A4	mm	inch

SCALE: 1:1	SHEET
	1/1