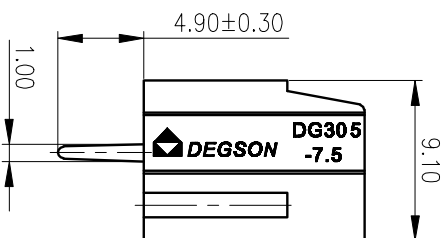
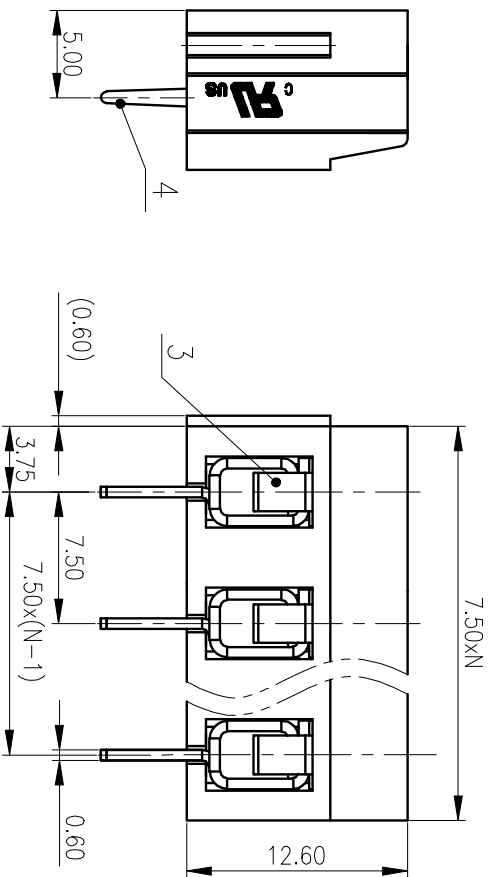
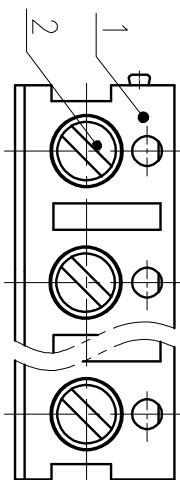
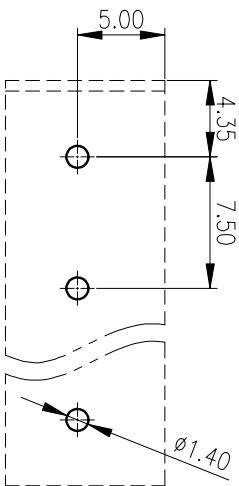


公差等级/General Tolerances(mm)		公差等级/General Tolerances(mm)										公差等级/General Tolerances(mm)		
0	>3	>6	>10	>18	>30	>50	>80	>120	>180	>250	>315	>400	>500	0.1/1/10
~	~	~	~	~	~	~	~	~	~	~	~	~	~	±Z
±0.12	±0.18	±0.22	±0.26	±0.31	±0.37	±0.57	±0.80	±0.93	±1.05	±1.15	±1.60	±2.20	±2.50	±Z



PCB LAYOUT



4	Pin	Copper alloy	M2.5/Sn Plated
3	Spring	Stainless steel	
2	Screw	Steel	M2.5/Zn Plated
1	Housing	PBT	UL94V-0
ITEM	NAME OF PART	MATERIAL	NOTES
UL 标准/UL Standard:		B	C
额定电压/Rated Voltage(V)/Current(A)		300/15	300/10
IEC 标准/IEC Standard:			
额定电压/电涌/Rated Voltage(V)/Current(A)		450/20	
工频耐压/Withstanding voltage(V/1Min)		AC2500	
拧紧扭矩/Torque Tightening(N·m/Lb·in)		M2.5: 0.29/2.60	
绕线范围(绕线绳规格)/Wire Range(rigid and flexible)(mm²/AWG)		1.0~2.5/22~14	
同层/Pitch(mm)/绕线范围/oles		7.5/N=02~16P	
引线长度/Stripping length(mm)		6~7	
使用温度范围/Operating temperature(°C)		-30~+120	
符合RoHS要求/Conform to RoHS		Yes	

MATERIAL:

MAT NO.: /
STATUS: /

DEGSON® NINGBO DEGSON ELECTRICAL CO., LTD

APPD: Lon ChH 2020.05.25
CHKD: Yu JZh 2020.05.25

NAME: DG305-7.5-XXP-1Y-00A(H)

DRT: Li Zh 2020.05.25

DRAWING NO.: DG305-7.5-C02

REV	ECN	DESCRIPTION	DRT	DATE
1				
2				
3				
4				

SIZE: A4

TYPE: CUSTOMER DRAWING

SCALE: 2.5:1 SHEET 1/1