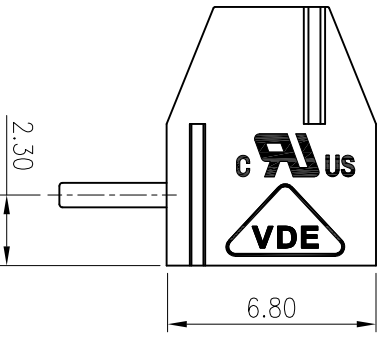
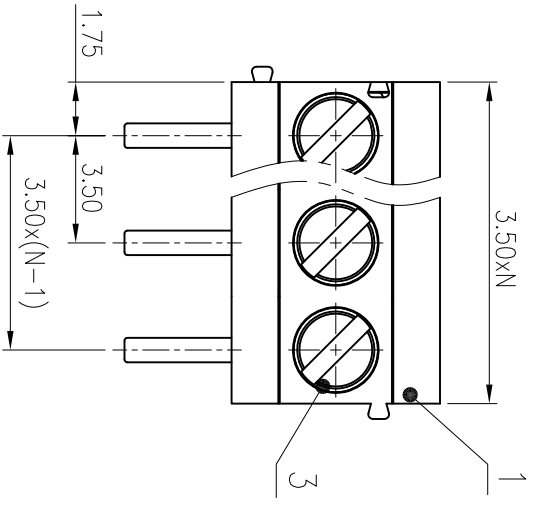
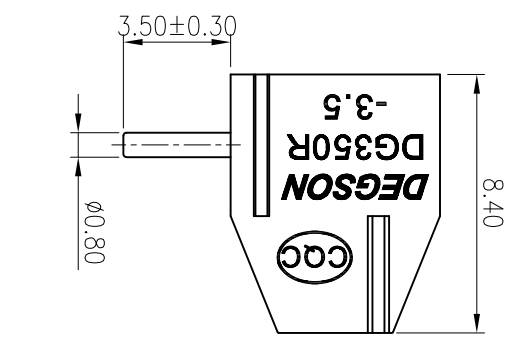
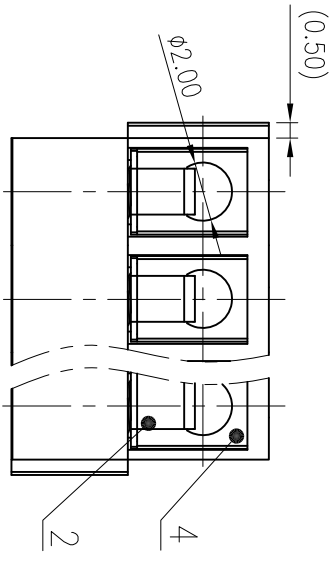


未注公差/General tolerances(mm)		0	>3	>5	>10	>18	>30	>50	>80	>120	>180	>250	>315	>400	0.1/1.0
~	~	~	~	~	~	~	~	~	~	~	~	~	~	~	±7
±0.12	±0.18	±0.22	±0.26	±0.31	±0.37	±0.57	±0.80	±0.93	±1.05	±1.15	±1.60	±2.20	±2.50		



ITEM	NAME OF PART	MATERIAL	NOTES
4	Pin header	Copper alloy	M2/Sn plated
3	Screw	Steel	M2/Zn plated
2	Spring	Stainless steel	/
1	Housing	PA66	UL94V-0

UL 标准/UL Standard:	B	C	D
额定电压/电流/Rated Voltage(V)/Current(A)	300/7	/	/
IEC 标准/IEC Standard:	/	/	/
过压类别/Overvoltage Category/污染等级/Pollution Degree	III/3	III/2	II/2
额定电压/电流/Rated Voltage(V)/Current(A)	/	130/10	/
工频耐压/Withstanding voltage(V/1Min)	/	AC1250	/
螺丝扭矩/Torque Tightening(N·m/Lb·in)	/	M2, 0.20/1.77	/
导线范围(硬线和软线)/Wire Range(rigid and flexible)(mm²/AWG)	/	0.5~1.0/24~18	/
间距/Pitch(mm)/线数范围/Poles	/	3.5/N=02~24P	/
剥线长度/Stripping length(mm)	/	5	/
使用温度范围/Operating temperature(°C)	/	-40~+105	/
符合RoHS环保要求/Conform to RoHS	/	Yes	/

SURFACE:

MATERIAL:

宁波高松电子有限公司
NINGBO DEGSON ELECTRICAL CO., LTD

MAT NO.: /
STATUS: /
APPR: Lan CHH 2020.05.23
CHKD: YU JZh 2020.05.23

NAME: DG350R-3.5-XXP-1Y-00A(H)

DRFT: Song 2016.01.19

DRAWING NO.: DG350R-3.5-C02

REV	ECN	DESCRIPTION	DRFT	DATE
①		Change the frame	Wu LF	2020.05.23

SIZE: A4
mm
inch

TYPE: CUSTOMER DRAWING
SCALE: 4:1
SHEET: 1/1

PCB LAYOUT

