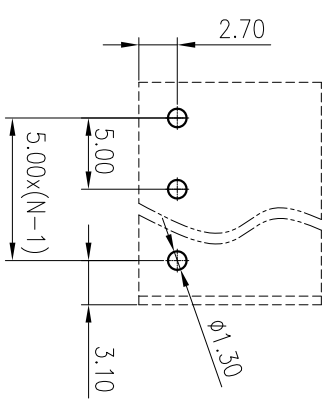
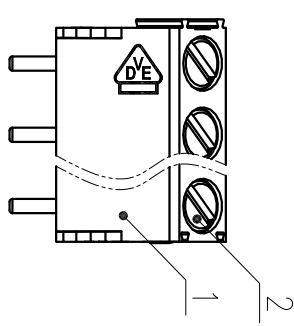
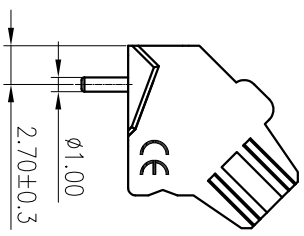
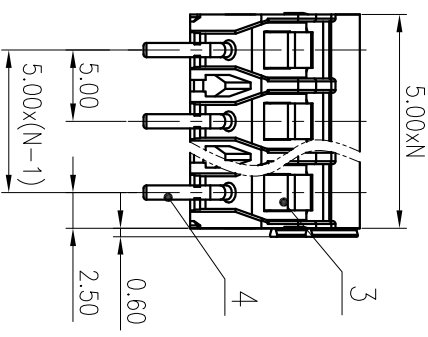
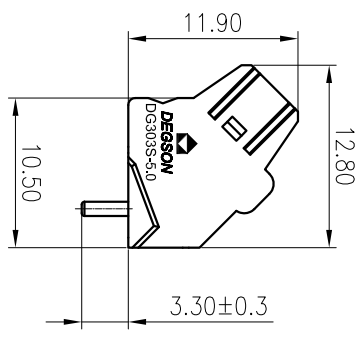


公差/General tolerances(mm)		0	>3	>6	>10	>18	>30	>50	>80	>120	>180	>250	>315	>400	>500	0.1/1.0
±0.12	±0.18	±0.22	±0.26	±0.31	±0.37	±0.45	±0.57	±0.80	±0.93	±1.05	±1.15	±1.60	±2.20	±2.50	±2	1/10



PCB LAYOUT

4	Pin	Copper alloy	Sn Plated
3	Spring	Stainless steel	/
2	Screw	Steel	Zn Plated
1	Housing	PA66	UL94V-0
ITEM	NAME OF PART	MATERIAL	NOTES
UL 标准/UL Standard:		B	C
额定电压/电流/Rated Voltage(V)/Current(A)		300/15	/
IEC 标准/IEC Standard:			/
过压类别/Overvoltage Category/污染等级/Pollution Degree		III/3	III/2
额定电压/电流/Rated Voltage(V)/Current(A)		250/24	400/24
额定脉冲电压/Rate Impulse Voltage(KV)		4	4
螺丝扭矩/Torque Tightening(N·m/Lb·in)		M2.6, 0.4/3.54	4
线芯范围(硬线和软线)/Wire Range(rigid and flexible)(mm ² /AWG)		0.2~2.5/28~12	
间距/Pitch(mm)/线数范围/Poles		5.0/N=02~24P	
剥线长度/Stripping length(mm)		5	
使用温度范围/Operating Temperature(°C)		-40~+105	
符合RoHS环保要求/Conform to RoHS		Yes	

MATERIAL: / SURFACE: /

MAT NO.: /
 STATUS: /
 APPD: Li GL 2020.05.15
 CHKD: MdEK 2020.05.15

NAME: **DEGSON** 宁波高松电子有限公司
 NINGBO DEGSON ELECTRICAL CO., LTD

DRAWING NO.: DG303S-5.0-C01
 DRAFT: WangJW 2020.05.15
 TYPE: CUSTOMER DRAWING
 SCALE: 2:1
 SHEET 1/1

REV	ECN	DESCRIPTION	DRAFT	DATE

A B C D 1 2 3 4 5 6