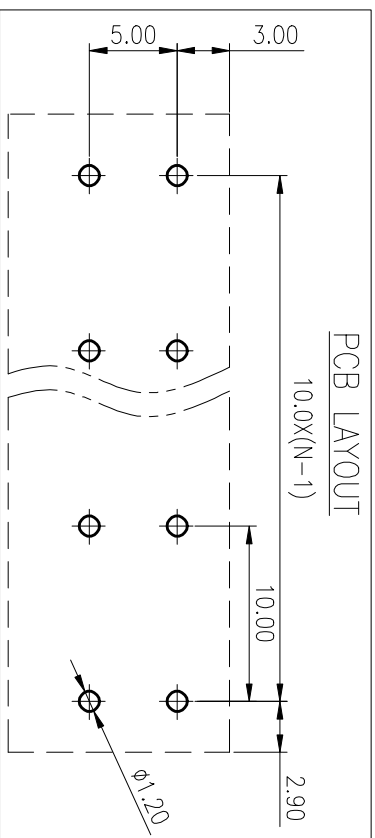
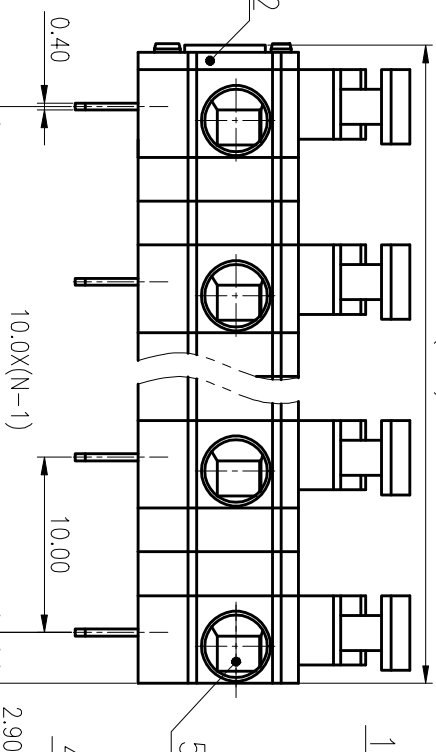
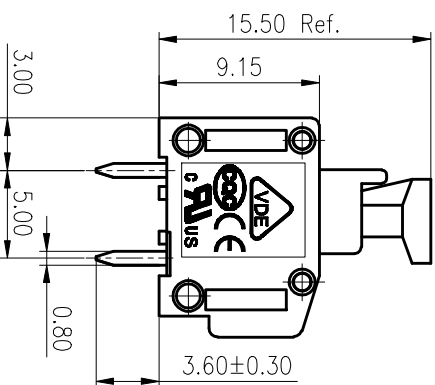
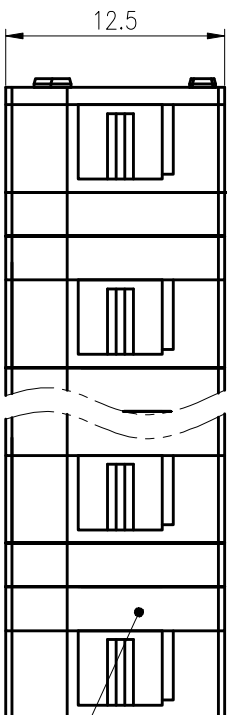


公差等级/General	Tolerances(mm)										0.1/10		
0	>3	>6	>10	>18	>30	>50	>80	>120	>180	>280	>315	>400	±Z
3	~	6	10	18	30	50	80	120	180	280	315	400	
±0.12	±0.18	±0.22	±0.26	±0.31	±0.37	±0.57	±0.80	±0.93	±1.05	±1.15	±1.60	±2.20	±2.50



ITEM	NAME OF PART	MATERIAL	NOTES
1	Housing	PA66	UL94V-0
2	Cover	PA66	UL94V-0
3	Button	PA66	UL94V-0
4	Pin header	Copper alloy	Sn Plated
5	Spring	Stainless steel	/
6	Calpboard	PA66	UL94V-0

REV	ECN	DESCRIPTION	DRAFT	DATE
1				

MATERIAL:	/	SURFACE:	/
MAT NO.:	/	NINGBO DEGSON ELECTRICAL CO., LTD	
STATUS:	/	DRAWING NO.: DG235-10.0-C03	
APPD: LiGL	202.05.28	NAME: DG235-10.0-XXP-1Y-00A(H)	
CHKD: Mek	2020.05.28	TYPE: CUSTOMER DRAWING	
DRAFT: MSh	2020.05.28	SCALE: 2.5:1 SHEET 1/1	

UL 标准/UL Standard:	B	C	D
额定电压/电涌/Rated Voltage(V)/Current(A)	300/5	300/5	300/5
IEC 标准/IEC Standard:	III/3	III/2	I/2
过压类别/Overvoltage Category/污秽等级/ Pollution Degree	III/3	III/2	I/2
额定电压/电涌/Rated Voltage(V)/Current(A)	400/17.5/1000/17.5	400/17.5/1000/17.5	400/17.5/1000/17.5
额定冲击电压(kV)/Rate Impulse Voltage(kV)	8	8	8
线径范围(裸线/带绝缘)/Wire Range(rigid and flexible)(mm ² /AWG)	0.2~1.5,2.5(Sol)/20~18	0.2~1.5,2.5(Sol)/20~18	0.2~1.5,2.5(Sol)/20~18
间距/Pitch(mm)/线径范围/Poles	10.0/N=02~12P	10.0/N=02~12P	10.0/N=02~12P
剥线长度/Stripping length(mm)	10	10	10
使用温度范围/Operating Temperature(°C)	-40~+105	-40~+105	-40~+105
符合RoHS要求/Conform to RoHS	Yes	Yes	Yes
标准颜色编号/Standard color number:	/	/	/
PANTONE / RAL	/	/	/