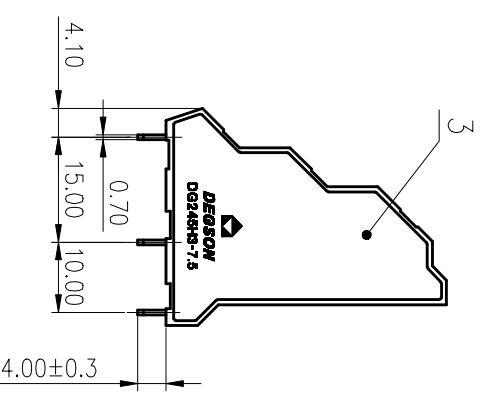
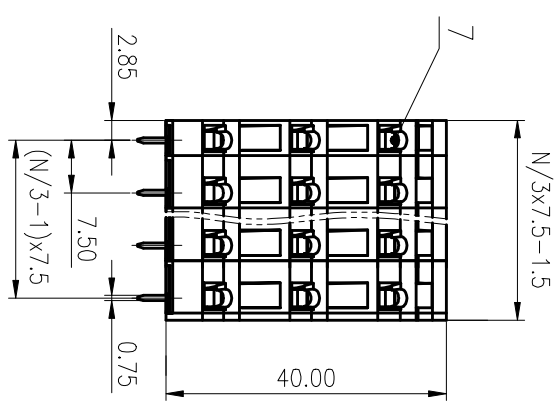
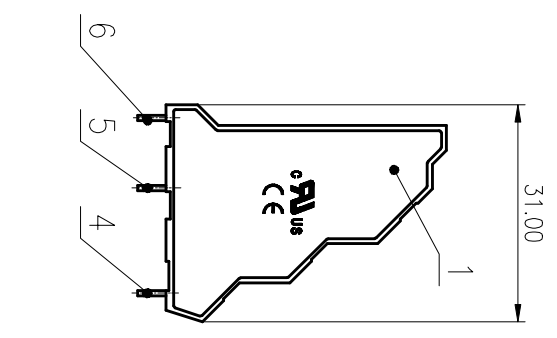
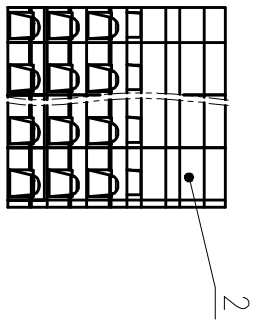
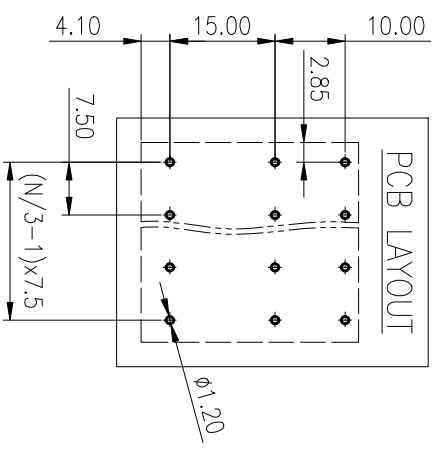


公差等级/General Tolerances(mm)		公差等级/General Tolerances(mm)											
0	>3	>6	>10	>18	>30	>50	>80	>120	>180	>280	>315	>400	0.1/10
~	~	~	~	~	~	~	~	~	~	~	~	~	~
3	6	10	18	30	50	80	120	180	280	315	400	500	>500
±0.12	±0.18	±0.22	±0.26	±0.31	±0.37	±0.57	±0.80	±0.93	±1.05	±1.15	±1.60	±2.20	±2.50
													±Z



ITEM	NAME OF PART	MATERIAL	NOTES
7	Spring	Stainless Steel	
6	Pin Header 3	Copper	Sn Plated
5	Pin Header 2	Copper	Sn Plated
4	Pin Header 1	Copper alloy	Sn Plated
3	Cover	PA66	UL94V-0
2	Housing 2	PA66	UL94V-0
1	Housing 1	PA66	UL94V-0

UL 标准 / UL Standard:		B	C	D
额定电压/电涌 / Rated Voltage(V)/Current(A)		300/10	/	300/10
IEC 标准 / IEC Standard:				
过压类别 / Overvoltage Category / 污染等级 / Pollution Degree	III/3	III/2	II/2	
额定冲击电压 (KV) / Rate Impulse Voltage(KV)	400/21	630/21	1000/21	
额定电压/电涌 / Rated Voltage(V)/Current(A)	6.0	6.0	6.0	
线径范围 (裸线/绞线) / Wire Range(rigid and flexible)(mm ² /AWG)	0.2~2.5 / 28~12			
间距 / Pitch(mm) / 线径范围 / Poles	7.50 / N=06~48P			
剥线长度 / Stripping length(mm)	5~6			
使用温度范围 / Operating Temperature(°C)	-40~+105			
符合 RoHS 要求 / Conform to RoHS	Yes			
标准颜色编号 / Standard color number:				
PANTONE / RAL	/			



REV	ECN	DESCRIPTION	DRAFT	DATE	SIZE	TYPE	SCALE	SHEET
1					A4	CUSTOMER DRAWING	1:1	1/1

MATERIAL:		SURFACE:	
MAT NO.:	/		
STATUS:	/		
APPD:	Li GL 2020.06.15		
CHKD:	Mao J 2020.06.15		
DRT:	Wang LX 2020.06.15		
NAME:	DG245H3-7.5-XXP-1Y-00A(H)		
DRAWING NO.:	DG245H3-7.5-C01		

宁波高松电子有限公司
NINGBO DEGSON ELECTRICAL CO., LTD