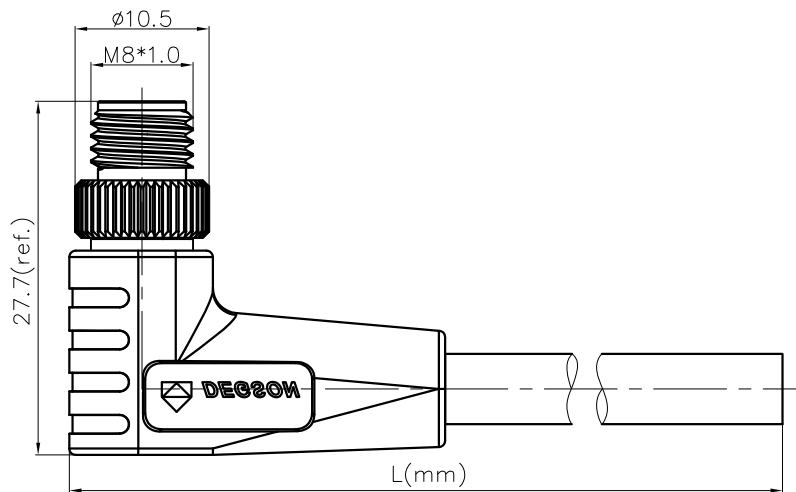
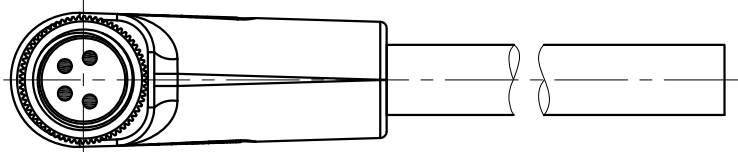


REVISION RECORD

REV	ECN	DESCRIPTION	DRFT	DATE
-----	-----	-------------	------	------



PMSH-M8X-XXP-MM-SR7XXX-00A(H)

Coding: A,B

Pin number: 03,04,
05,06,08

Cable jacket:
C:PVC UL2517 For UL Approve
D:PUR UL20549 For UL Approve

Cable length
01: 1M
...

99: 99M

The line grows business trip:
01~05m: ± 50mm
06~10m: ± 100mm
11~30m: ± 200mm
31~99m: ± 500mm

NOTES:

- Rated voltage/current : 3pin: 60V / 3A
4pin: 60V / 3A
5pin: 30V / 3A
6pin: 30V / 1.5A
8pin: 30V / 1.5A
- Withstanding voltage : 3,4pin: AC850V/1Min
5,6,8pin: AC650V/1Min
- Levels of protection: IP67
- Cable specifications :
3pin: 3C*24AWG/0.25mm²,Shield,UL2517/UL20549
4pin: 4C*24AWG/0.25mm²,Shield,UL2517/UL20549
5pin: 5C*24AWG/0.25mm²,Shield,UL2517/UL20549
6pin: 6C*26AWG/0.14mm²,Shield,UL2517/UL20549
8pin: 8C*26AWG/0.14mm²,Shield,UL2517/UL20549
- Wire connection mode: soldering
- Operating temperature: -25°C~+80°C
- RoHS Compliance
- Tolerance : ±0.5mm

3pin A Coding	4pin A Coding	5pin B Coding	6pin A Coding	8pin A Coding
Pin Assignment Front View	Pin Assignment Front View	Pin Assignment Front View	Pin Assignment Front View	Pin Assignment Front View
Shield	Shield	Shield	Shield	Shield
Braid	Braid	Braid	Braid	Braid
4	4	5	6	6
3	3	4	5	5
1	2	3	4	4
	1	2	3	3
		1	2	2
			1	1
Pin	Pin	Pin	Pin	Pin
Wire Color	Wire Color	Wire Color	Wire Color	Wire Color
Pin Out	Pin Out	Pin Out	Pin Out	Pin Out

DETACHED LISTS	PART NO.: PMSHM8XXXPMSR7XXX00AH		宁波高松电子有限公司 NINGBO DEGSON ELECTRICAL CO., LTD	
	APPD:		NAME: PMSH-M8X-XXP-MM-SR7XXX-00A(H)	
	CHKD:		TITLE: CUSTOMER DRAWING	
	DRFT: SQ 2019.09.06		REV	D0-2
THIRD ANGLE PROJECTION		DRAWING NO.: XXXXXXX-XX-CXX		
		SHEET	1/1	
		DO NOT SCALE DRAWING	SCALE	
			1:1	