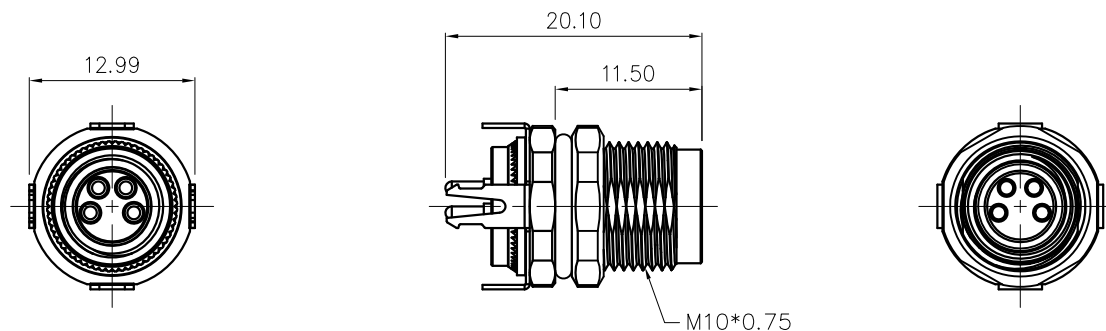


REVISION RECORD

REV	ECN	DESCRIPTION	DRFT	DATE
-----	-----	-------------	------	------



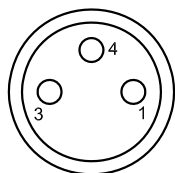
SPSH-M8A-~~XX~~P-FF-SF7001-00A(H)

Pin number: 03,04

NOTES:

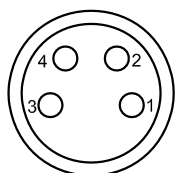
- 1.Rated voltage/current : 3pin:60V / 3A  
4pin: 60V / 3A
- 2.Withstanding voltage : 3,4pin: AC850V/1Min
- 3.Levels of protection:IP67
- 4.Wire connection mode:soldering(PCB)
- 5.Operating temperature:-40°C~+105°C
- 6.For Panel Thinkness Range: 2.0~3.0mm
- 7.For PCB Thinkness Max: 1.6mm
- 8.RoHS Compliance
- 9.Tolerance :
  - .X            ±0.25mm
  - .XX          ±0.1mm
  - ∠            ±1°

3pin A Coding

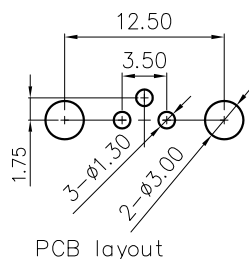


Pin Assignment Front View

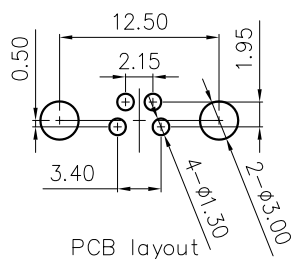
4pin A Coding



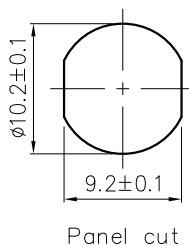
Pin Assignment Front View



PCB layout



PCB layout



Panel cut

DETACHED LISTS	PART NO.: SPSHM8AXXPFFSF700100AH		宁波高松电子有限公司 NINGBO DEGSON ELECTRICAL CO., LTD	
	APPD:	NAME: SPSH-M8A-XXP-FF-SF7001-00A(H)		
	CHKD:	TITLE: CUSTOMER DRAWING		
	DRFT: SQ 2019.05.17	REV	SHEET 1/1	
THIRD ANGLE PROJECTION		DRAWING NO.: XXXXXXXX-XX-CXX	SCALE	1:1
		MM (INCH)	DO NOT SCALE DRAWING	