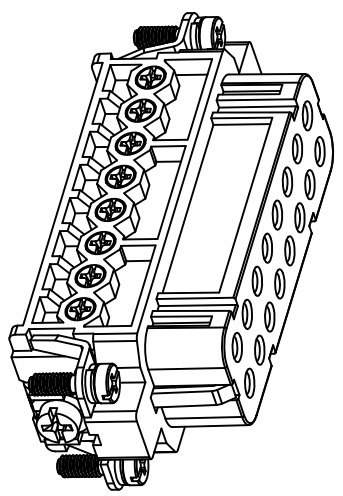
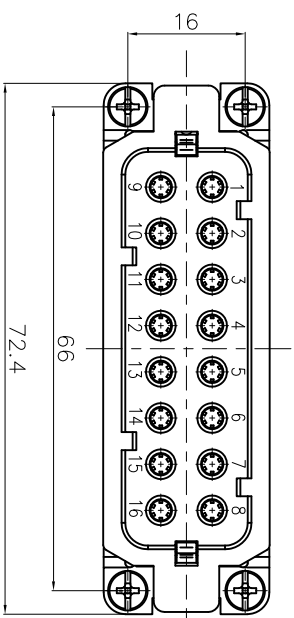
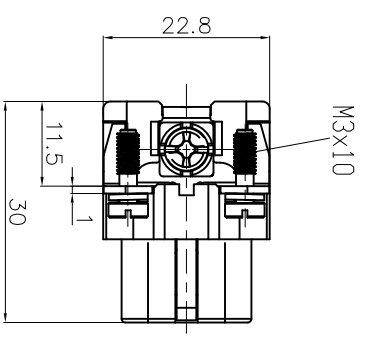


REVISION RECORD				
REV	ECN	DESCRIPTION	DRFT	DATE

Technical characteristics:
 Specifications
 DIN EN 60 664-1
 DIN EN 61 984

- Inserts
- 01. Number of contacts : 16(17-32)+PE
 - 02. Rated Current : 16A
 - 03. Rated Voltage : 250V
 - 04. Pollution degree : 3
 - 05. Rated impulse voltage : 4kv¹⁰
 - 06. Insulation resistance : $\geq 10 \Omega$
 - 07. Material: Polycarbonate
 - 08. Rated voltage acc. to UL/CSA: 600V
 - 09. Limiting temperatures : -40°C ~ +125°C
 - 10. Flammability acc. to UL94: V0
 - 11. Mechanical working life (mating cycles) : ≥ 500

- Contacts
- 01. Material: Copper alloy
 - 02. Surface: hard-silver plated
 - 03. Contact resistance : $\leq 1m\Omega$
 - 04. Terminal : Screw terminal
 - 05. Wire gauge : 1.0-2.5mm² (AWG 18-14)
 - 06. Tightening torque : 0.5Nm
 - 07. Stripping length : 7.5mm
 - 08. Rohs Compliance



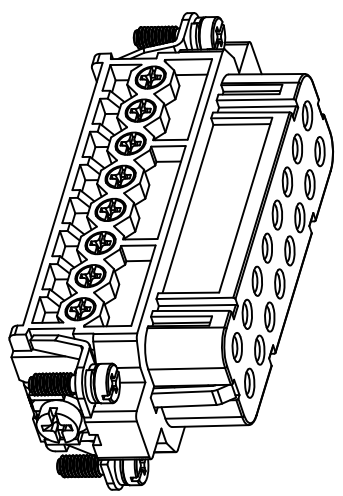
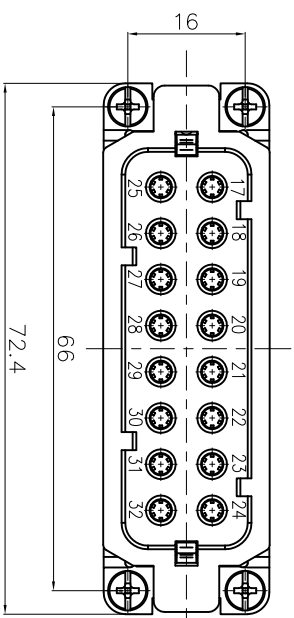
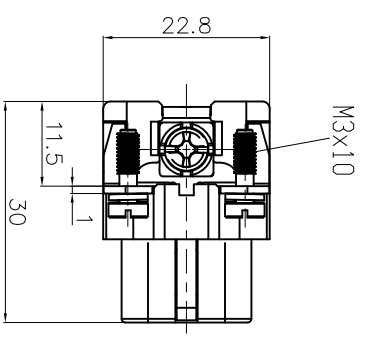
DETACHED LISTS			
PART NO.:	/	NINGBO DEGSON ELECTRICAL CO., LTD	
APPD:		DA-016-F	
CHKD:		NINGBO DEGSON ELECTRICAL CO., LTD	
DRFT:	YANG	2016.07.25	2016.07.25
TITLE:	CUSTOMER DRAWING		
DRAWING NO.:	DA-016-F-E01	SHEET	1/1
THIRD ANGLE PROJECTION	DO NOT SCALE DRAWING	SCALE	1:1

REVISION RECORD			
REV	ECN	DESCRIPTION	DRFT DATE

Technical characteristics:
 Specifications
 DIN EN 60 664-1
 DIN EN 61 984

- Inserts
01. Number of contacts : 16(17-32)+PE
 02. Rated Current : 16A
 03. Rated Voltage : 250V
 04. Pollution degree : 3
 05. Rated impulse voltage : 4kv¹⁰
 06. Insulation resistance : $\geq 10^9 \Omega$
 07. Material: Polycarbonate
 08. Rated voltage acc. to UL/CSA: 600V
 09. Limiting temperatures : -40°C ~ +125°C
 10. Flammability acc. to UL94: V0
 11. Mechanical working life (mating cycles) : ≥ 500

- Contacts
01. Material: Copper alloy
 02. Surface: hard-silver plated
 03. Contact resistance : $\leq 1m\Omega$
 04. Terminal : Screw terminal
 05. Wire gauge : 1.0-2.5mm² (AWG 18-14)
 06. Tightening torque : 0.5Nm
 07. Stripping length : 7.5mm
 08. Rohs Compliance



DETACHED LISTS			
PART NO.:	/	NAME:	DEGSON ® NINGBO DEGSON ELECTRICAL CO., LTD 宁波高松电子有限公司
APPD:		TITLE:	CUSTOMER DRAWING
CHKD:		DRWING NO.:	DA-016-F-E02
DRFT:	YONG 2016.07.25	REV	DO-1
THIRD ANGLE PROJECTION		SCALE	1:1

A 8 7 6 5 4 3 2 1