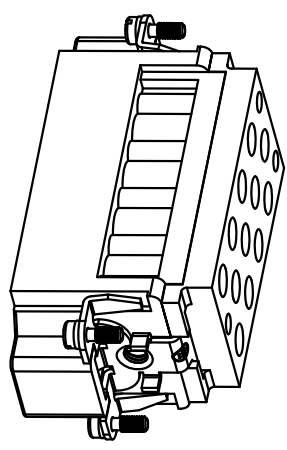
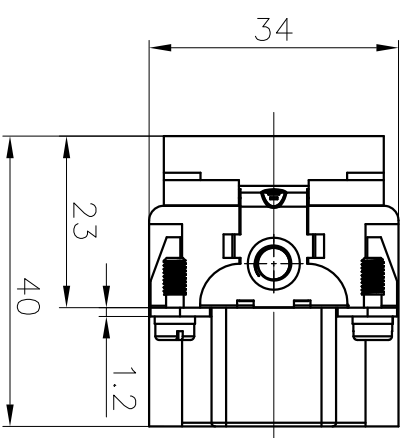
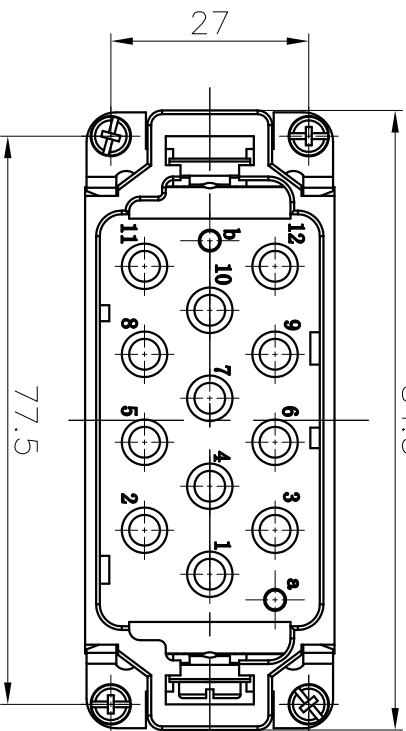


REVISION RECORD				
REV	ECN	DESCRIPTION	DRFT	DATE

Technical characteristics:
 Specifications
 DIN EN 60 664-1
 DIN EN 61 984

84.5



- Inserts
- 01. Number of contacts :12/2+PE
 - 02. Rated Current :40A/10A
 - 03. Rated Voltage :690V/250V
 - 04. Pollution degree :3
 - 05. Rated impulse voltage :8kV/4kV
 - 06. Insulation resistance :≥10Ω
 - 07. Material:Polycarbonate
 - 08. Rated voltage acc. to UL/CSA:600V/300V
 - 09. Limiting temperatures : -40°C ~+125°C
 - 10. Flammability acc. to UL94:V0
 - 11. Mechanical working life (mating cycles) :≥500
- Contacts
- Power contacts
- 01. Material:Copper alloy
 - 02. Surface:hard-Silver plated
 - 03. Contact resistance :≤0.3mΩ
 - 04. Terminal :Crimp terminal
 - 05. Wire gauge :1.5-6mm² (AWG16-10)
 - 06. Stripping length :9mm
- Signal contacts
- 01. Material:Copper alloy
 - 02. Surface:hard-silver plated
 - 03. Contact resistance :≤3mΩ
 - 04. Terminal :Crimp terminal
 - 05. Wire gauge :0.14-2.5mm² (AWG26-14)
 - 06. Stripping length :6-8mm
 - 07. Rohs Compliance

PART NO.:	/	NAME:	DEGSON NINGBO DEGSON ELECTRICAL CO., LTD 宁波高松电子有限公司
APPD:			DK-122-MC
CHKD:			
DRFT:	Mr. Yang 2016.10.08	TITLE:	CUSTOMER DRAWING

DETACHED LISTS			
THIRD ANGLE PROJECTION		DRAWING NO.:	/
		DO NOT SCALE DRAWING	SCALE
			1:1

A 8 7 6 5 4 3 2 1

A 8 7 6 5 4 3 2 1