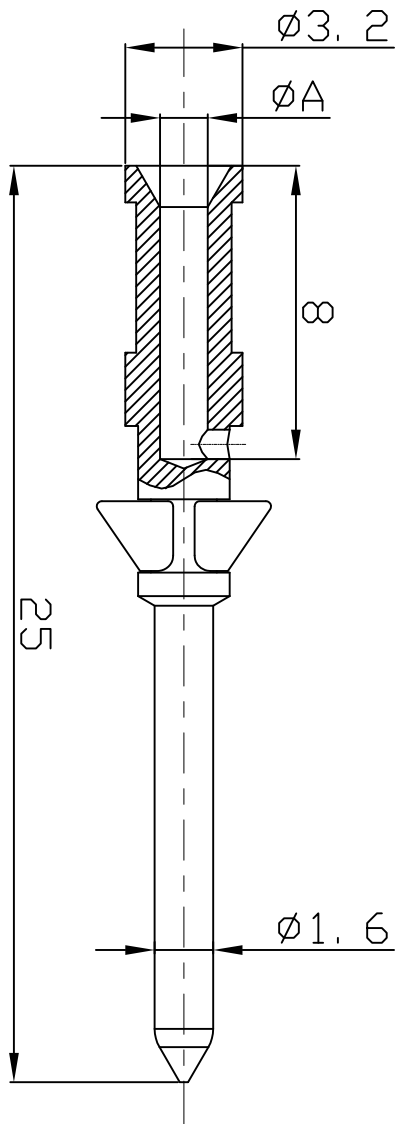


| REVISION RECORD | | | |
|-----------------|-----|-------------|-----------|
| REV | ECN | DESCRIPTION | DRFT DATE |
| | | | |

| Contacts, silver-plated | (∅A) | Wire gauge | | Recommended stripping length |
|-------------------------|------|--------------------|-------|------------------------------|
| | | (mm ²) | (AWG) | |
| ◆ 10A-SM-0.37 | 0.9 | 0.14-0.37 | 26-22 | 8mm |
| 10A-SM-0.5 | 1.1 | 0.50 | 20 | 8mm |
| 10A-SM-0.75 | 1.3 | 0.75 | 18 | 8mm |
| 10A-SM-1.0 | 1.45 | 1.00 | 18 | 8mm |
| 10A-SM-1.5 | 1.75 | 1.50 | 16 | 8mm |
| 10A-SM-2.5 | 2.25 | 2.50 | 14 | 6mm |



Crimp contacts

01. Material :Copper alloy
02. Surface :hard-silver plated
03. Contact resistance : $\leq 3m\Omega$
04. Terminal :Crimp connection
05. Wire gauge : 0.37-2.5mm² (AWG 22-14)
06. Rohs Compliance

| DETACHED LISTS | | | |
|------------------------|---------------------|----------------------|--|
| PART NO.: | / | NAME: | DEGSON 宁波高松电子有限公司 NINGBO DEGSON ELECTRICAL CO.,LTD |
| APPD: | | TITLE: | 10A-Male Contacts |
| CHKD: | | DRAWING NO.: | / |
| DRFT: | Mr. Yang 2016.08.08 | DO NOT SCALE DRAWING | SCALE |
| THIRD ANGLE PROJECTION | | 1/1 | 5:1 |

A 8 7 6 5 4 3 2 1