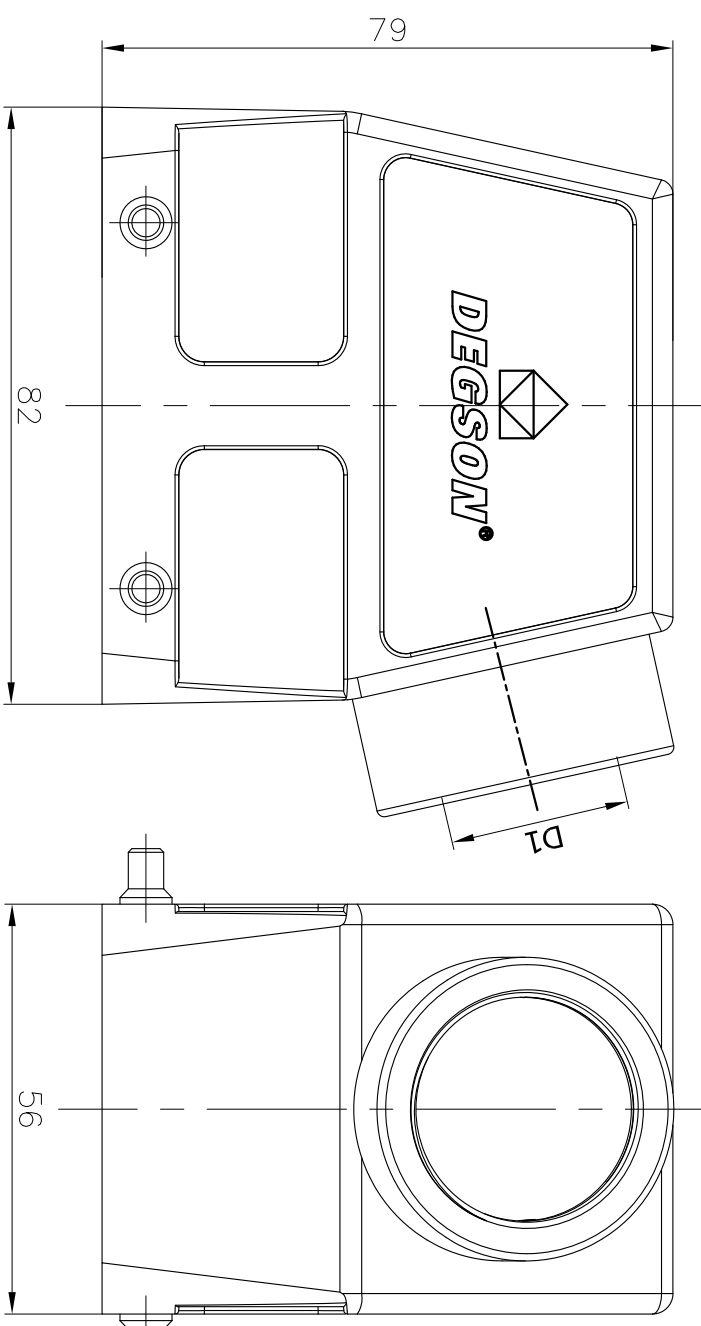
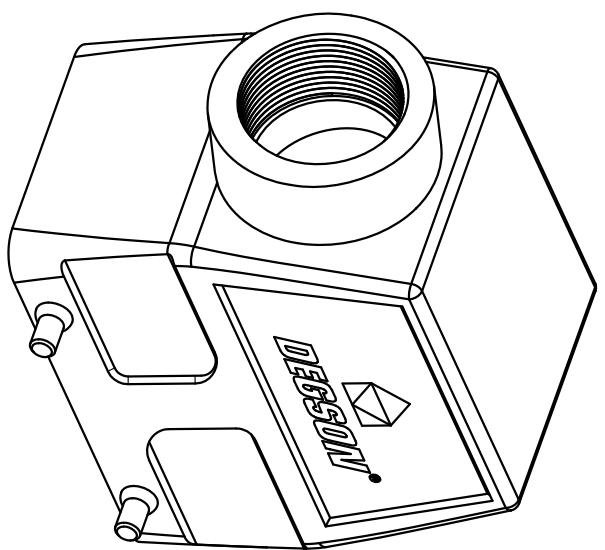


REVISION RECORD			
REV	ECN	DESCRIPTION	DRFT DATE

H	TYPE	Thread(D1)	Selection
	D32A-SEH-4g-M25	M25	
	D32A-SEH-4g-M32	M32	
	D32A-SEH-4g-PG21	PG21	
G	D32A-SEH-4g-PG29	PG29	



- Hoods Feature
- 01. Material: Aluminium die-cast
 - 02. Surface: Powder-coated
 - 03. Color: grey (RAL 7037)
 - 04. Limiting temperatures: -40°C ~ +125°C
 - 05. Flammability acc to UL94: V0
 - 06. Degree of protection acc. to EN60529 for coupled connector: IP65
 - 07. Rohs Compliance

DETACHED LISTS			
PART NO.:		NAME:	DEGSON NINGBO DEGSON ELECTRICAL CO., LTD 宁波高松电子有限公司
APPD.:		TITLE:	D32A-SEH-4g-M/PG CUSTOMER DRAWING
CHKD.:		DRAWING NO.:	
DRFT: Mr. yong	2016.08.15	REV	DO-1
THIRD ANGLE PROJECTION		SHEET	1/1
		SCALE	1:1

A 8 7 6 5 4 3 2 1