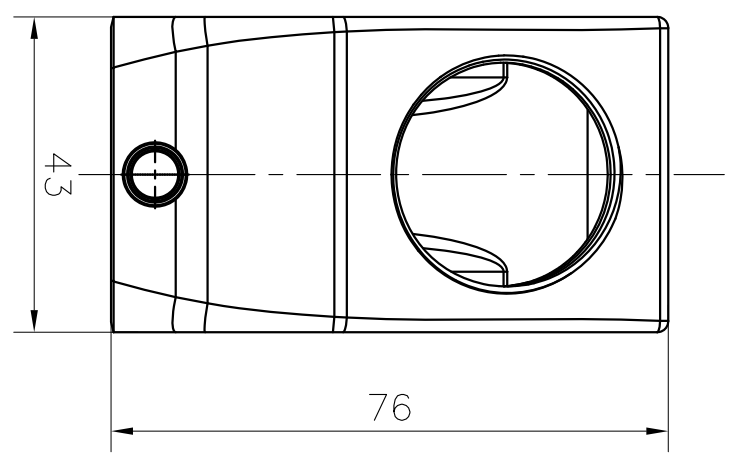
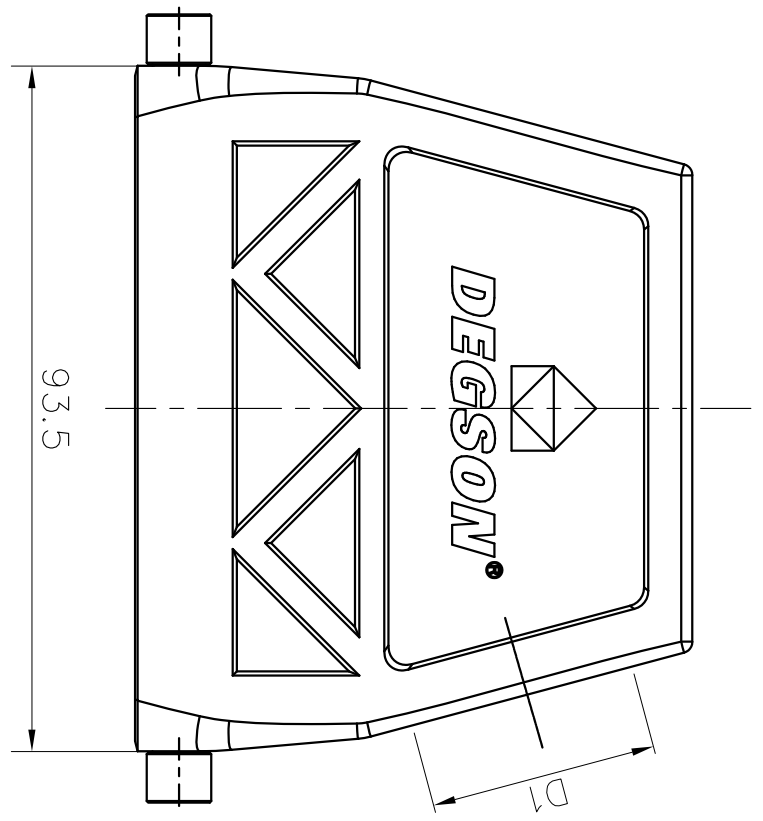
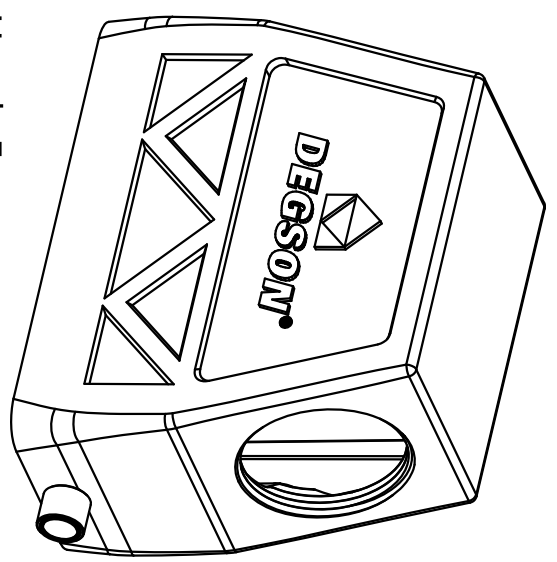


TYPE	Thread(D1)	Selection
D16B-SEH-2g-M32	M32	
D16B-SEH-2g-M40	M40	
D16B-SEH-2g-PG21	PG21	
D16B-SEH-2g-PG29	PG29	

REVISION RECORD				
REV	ECN	DESCRIPTION	DRFT	DATE



93.5

43

76

Hoods Feature

1. Material: aluminium die-cast
2. Surface: Powder-coated
3. Color: grey (RAL 7037)
4. Limiting temperatures: -40°C ~ +125°C
5. Flammability acc to UL94: V0
6. Degree of protection acc. to EN60529 for coupled connector: IP65
7. Rohs compliance

A

B

C

D

E

F

G

H

DETACHED LISTS			
PART NO.:	/	NAME:	DEGSON NINGBO DEGSON ELECTRICAL CO., LTD 宁波高松电子有限公司
APPR.:		TITLE:	D16B-SEH-2g-M/PG CUSTOMER DRAWING
CHKD.:		DRAWING NO.:	/
DRFT.:	Mr. Yang 2016.08.08	REV	DO-1
THIRD ANGLE PROJECTION		SHEET	1/1
		DO NOT SCALE DRAWING	SCALE
			1:1

8

7

6

5

4

3

2

1

A

B

C

D

E

F

G

H