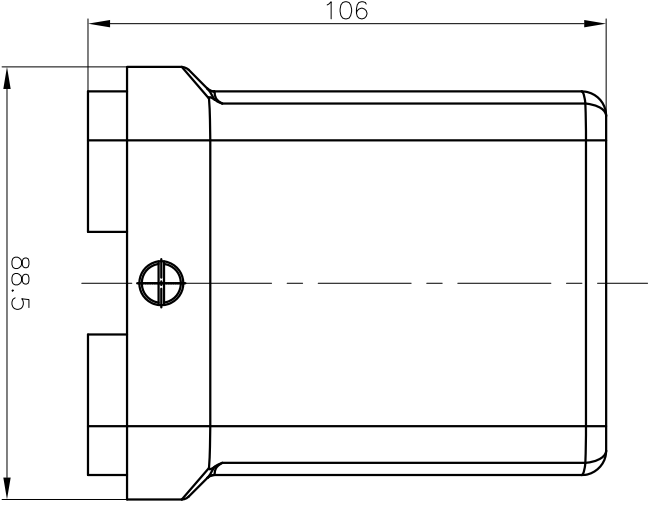
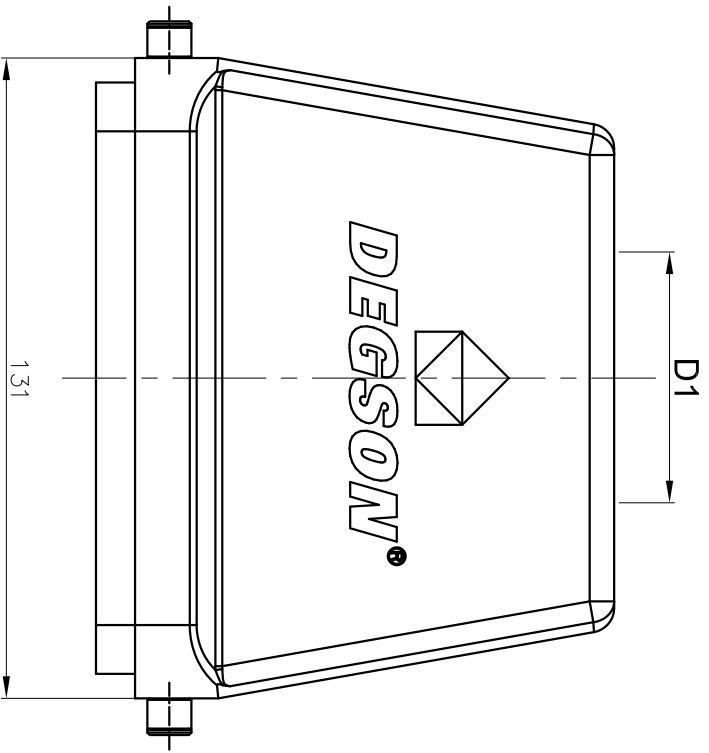
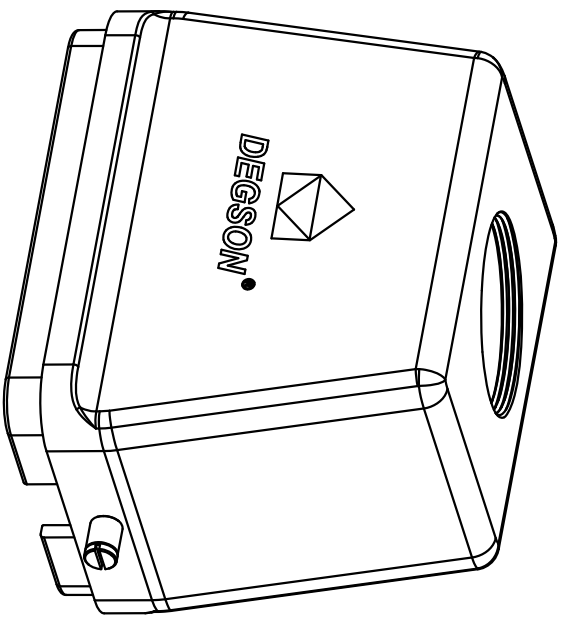


| REVISION RECORD | | | | |
|-----------------|-----|-------------|------|------|
| REV | ECN | DESCRIPTION | DRFT | DATE |
| | | | | |

| TYPE | Thread(D1) | Selection |
|-----------------|------------|-----------|
| D48B-TE-2g-M32 | M32 | |
| D48B-TE-2g-M40 | M40 | |
| D48B-TE-2g-M50 | M50 | |
| D48B-TE-2g-PG29 | PG29 | |
| D48B-TE-2g-PG36 | PG36 | |
| D48B-TE-2g-PG42 | PG42 | |



Hoods Feature

- 01. Material: Aluminium die-cast
- 02. Surface: Powder-coated
- 03. Color: grey (RAL 7037)
- 04. Limiting temperatures: -40°C ~ +125°C
- 05. Flammability acc to UL94: V0
- 06. Degree of protection acc. to EN60529 for coupled connector: IP65
- 07. Rohs Compliance

| DETACHED LISTS | | | |
|------------------------|---------------------|----------------------|---|
| PART NO.: | / | NAME: | DEGSSON NINGBO DEGSSON ELECTRICAL CO., LTD 宁波高松电子有限公司 |
| APPD: | | TITLE: | CUSTOMER DRAWING |
| CHKD: | | DRAWING NO.: | / |
| DRFT: | Mr. Yqng 2017.03.13 | REV | DO-1 |
| THIRD ANGLE PROJECTION | | SHEET | 1/1 |
| | | DO NOT SCALE DRAWING | SCALE |
| | | | 1:1.5 |

A 8 7 6 5 4 3 2 1