

REVISION RECORD				
REV	ECN	DESCRIPTION	DRFT	DATE

Technical characteristics:

Specifications
 DIN EN 60 664
 DIN EN 61 984

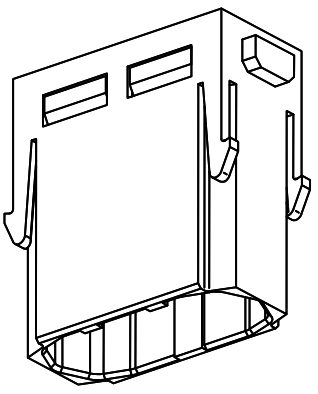
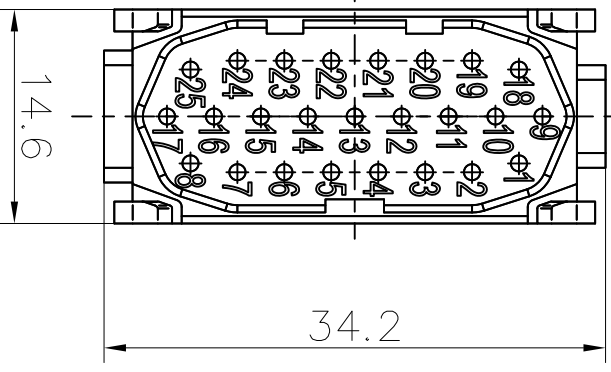
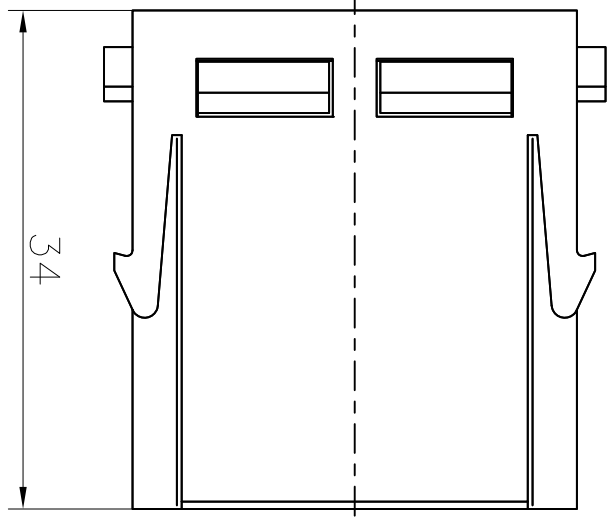
Inserts

01. Number of contacts :25
02. Rated Current :4A
03. Rated Voltage :50V
04. Pollution degree :3
05. Rated impulse voltage :0.8kV
06. Insulation resistance :≥10¹⁰Ω
07. Material:Polycarbonate
08. Limiting temperatures : -40℃~+125℃
09. Flammability acc. to UL94:V0
10. Mechanical working life (mating cycles) : ≥500

Contacts

01. Material:Copper alloy
02. Surface:hard-Gold/Silver plated
03. Contact resistance : ≤3mΩ
04. Terminal :Crimp terminal
05. Wire gauge :0.09-0.52mm² (AWG 28-20)
06. Rohs Compliance

Note:Crimp contact pins should order separately



DETACHED LISTS			
PART NO.:	/	NAME:	DEGSON 宁波高松电子有限公司 NINGBO DEGSON ELECTRICAL CO.,LTD
APPD:		APPD:	DMD-025-MC
CHKD:		TITLE:	CUSTOMER DRAWING
DRFT:	YONG 2016.08.22	DRAWING NO.:	
THIRD ANGLE PROJECTION		DO NOT SCALE DRAWING	SCALE
		REV	DO-1
		SHEET	1/1
		SCALE	2:1